

MOULDED CASE
CIRCUIT BREAKERS
from 16 A to 1600 A



THE RIGHT
PROTECTION
FOR YOUR HIGH-
PERFORMANCE
INSTALLATIONS

DPX³ 125 HP/250 HP/
630 AND 1600

CATALOGUE
PAGES
INSIDE

GLOBAL SPECIALIST
IN ELECTRICAL AND DIGITAL BUILDING INFRASTRUCTURES

legrand[®]

Wide choice, high performance and safety

High-performance circuit breakers for your projects	2-3
Different versions for all types of installation	4-5
Integrated measurement and optimum continuity of service	6-7

Safety, simplicity and speed of installation

Control and signalling auxiliaries that are easy to install and wire up	8-9
Supply inversion and motor operators	10-11
Connection accessories for multiple configurations	12-13
Plug-in and draw-out versions for perfect continuity of service	14-15
XL Pro ³ software makes configuring your enclosures simplicity itself	16-17

Catalogue pages

Find all our catalogue numbers and details of their settings	18-49
--	-------

DPX³ HP

High-performance circuit breakers for your projects

With DPX³ 125 and 250 HP, which have been added to the DPX³ 630 and 1600 MCCBs and isolating switches, Legrand offers a solution ideally suited to the performance requirements of all your installations for current ratings from 16 A to 1600 A and breaking capacities up to 100 kA.

2

These products are reliable and rugged, easy to use and install, and provide effective protection for your installation. There is a choice of four sizes, available with 3 and 4 poles, in fixed or draw-out versions and with a choice of thermal-magnetic or electronic protection depending on the desired service level. This offer also includes a range of control and signalling units and connection accessories for easy integration in any electrical installation, regardless of configuration.

MOUNTING ON PLATE

SUITABLE FOR ALL TYPES OF SITE
IN THE SERVICE SECTOR AND INDUSTRY

In: 16 A → 1600 A

Icu: 36 kA → 100 kA (380/415 V~)

PROTECTION:

- THERMAL-MAGNETIC OR
- ELECTRONIC (FOR DPX³ 250 HP, DPX³ 630 AND 1600)

QUALITY, RELIABILITY
AND STRENGTH ARE
THE MAIN ATTRIBUTES
OF THIS NEW RANGE



NEW



DPX³ 125 HP

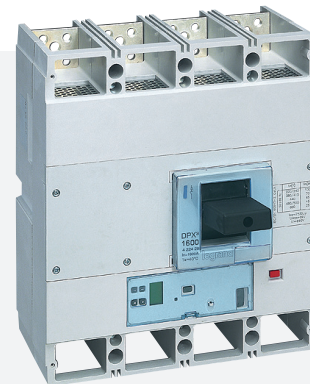
NEW



DPX³ 250 HP



DPX³ 630



DPX³ 1600



A LONGER SERVICE LIFE FOR YOUR INSTALLATIONS

The “Active breaking capacity” patented system integrated in the new 70 kA and 100 kA DPX³ HP MCCBs significantly reduces the current magnitude and dissipated energy in the event of short-circuits, thus increasing the limitation capacity of devices. Improved limitation capacity means less overheating in the cables, fewer mechanical effects, less electromagnetic disturbance, and therefore a longer service life for your installation over time.



VERY HIGH PERFORMANCE LEVEL

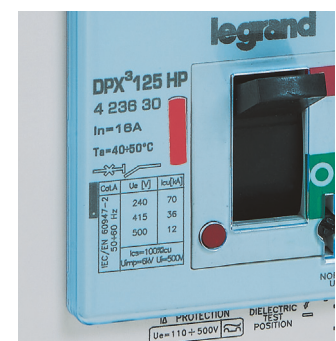
SIZES AVAILABLE

Four circuit breaker sizes available with breaking capacities from 36 to 100 kA over the whole range, which makes them suitable for all types of site in the large service sector and industry.

In	16	25	40	63	80	100	125	160	200	250	320	400	500	630	800	1000	1250	1600	
100 kA																			DPX ³ 1600
																			DPX ³ 630
																			DPX ³ 250 HP DPX ³ 125 HP
70 kA																			DPX ³ 1600
																			DPX ³ 630 DPX ³ 250 HP DPX ³ 125 HP
50 kA																			DPX ³ 1600
																			DPX ³ 630 DPX ³ 250 HP DPX ³ 125 HP
36 kA																			DPX ³ 1600
																			DPX ³ 630 DPX ³ 250 HP DPX ³ 125 HP

EASY IDENTIFICATION

Easy identification of the breaking capacity thanks to the colour-coded marking on the front of the equipment:



DPX³ HP

Different versions for all types of installation

4

The DPX³ range offers a wide choice of versions to meet all types of requirement depending on the site.

- Thermal-magnetic, electronic or magnetic-only protection
- With or without integrated residual current protection
- With or without integrated measurement function
- Fixed, plug-in or draw-out version



MAGNETIC-ONLY CIRCUIT BREAKERS

Magnetic-only circuit breakers, available throughout the range from 6.3 A to 1000 A, are particularly suitable for protecting three-phase motors. Thanks to their high limitation capacity, the new DPX³ 125 and 250 HP, combined with CTX³ contactors, can provide type 2 coordination (according to IEC 60947-4-1), and thus provide better continuity of service.



DPX³ 250 HP
magnetic-only

TRIP-FREE SWITCHES

The 4 device sizes are also produced in a DPX³-I 125 and 250 HP and DPX³-I 630 and 1600 trip-free switch version for installations that only require on-load breaking and separation of circuits. All the control and signalling units and connection accessories are common to those of the corresponding circuit breakers.



DPX³-I 125 HP
trip-free switch



DPX³-I 250 HP
trip-free switch



A WIDE CHOICE OF VERSIONS

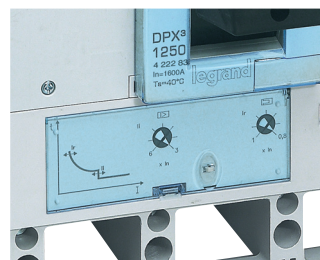
		DPX ³ 125 HP	DPX ³ 250 HP	DPX ³ 630	DPX ³ 1600
Number of poles	3P	•	•	•	•
	4P	•	•	•	•
	3 P + N/2	-	-	•	•
Version	Fixed	•	•	•	•
	Plug-in	-	•	•	-
	Draw-out	-	•	•	•
Protection	Thermal-magnetic	•	•	•	•
	S1 electronic	-	•	•	•
	S2 electronic	-	-	•	•
	Sg electronic	-	-	•	•
	Residual current protection	integrated	integrated	Add-on module	Add-on module
	Magnetic-only	-	•	•	•
Integrated measurement		-	-	•(1)	•(1)

5

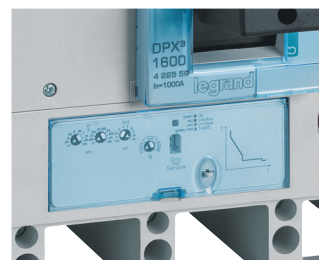
(1) With S2 and Sg versions

POSSIBLE SETTINGS

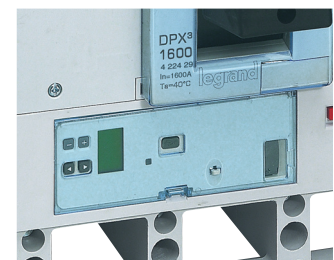
THE CHOICE BETWEEN THE DIFFERENT TYPES OF PROTECTION IS MADE MAINLY ON THE BASIS OF PERFORMANCE AND THE DESIRED LEVEL OF SELECTIVITY.



Thermal-magnetic version - thumbwheel settings⁽²⁾



S1 electronic version - thumbwheel settings⁽²⁾



S2 electronic version - button settings + LCD screen⁽²⁾

(2) The photos correspond to a DPX³ 1600 MCCB. The position of the settings on the front face may vary according to the size of the circuit breaker.

OPTIMISED INTEGRATION

The dimensions of 4P DPX³ 125 or 250 HP circuit breakers with or without integrated residual current protection are exactly the same (within the same family), which saves a significant amount of space in enclosures and gives the ability to upgrade the installation from a standard version to a version with integrated residual current protection without changing the wiring or fixing plates.



4P DPX³ 250 HP circuit breakers without residual current protection



4P DPX³ 250 HP circuit breakers with residual current protection

DPX³ 630 AND 1600

Integrated measurement and optimum continuity of service



6

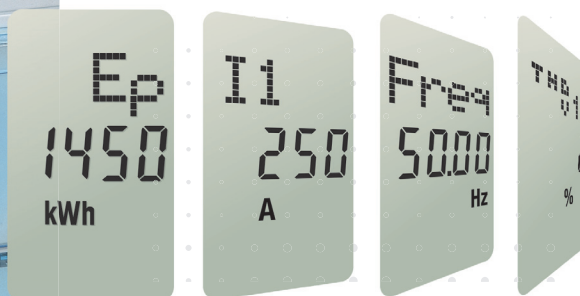
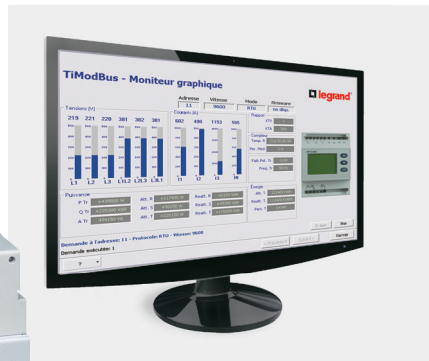
With electronic DPX³ 630 and 1600 with integrated measurement, it is very easy to monitor the parameters and consumption of the different circuits in the installation, without an external device.

- The measured values are displayed directly on the LCD screen on the front of the equipment.
- The measurement data can also be displayed remotely on a PC equipped with control & management software, via a communication interface.

INTERNAL BATTERY

Thanks to the internal battery, the protection unit can be set even if the circuit breaker is de-energised. Tests and troubleshooting can be done directly via the circuit breaker LCD screens.

FUNCTIONS TO MAKE USE EASIER



Currents, voltages, frequency, power, energy, THD.
Integrated measurement is available on the DPX³ 630 and 1600 MCCBs.



Guaranteeing continuity of service, selectivity between Legrand circuit breakers is optimal thanks to the improved performance of DPX³ devices.

In critical configurations, the dynamic selectivity and logical selectivity offered by the protection units in electronic DPX³ circuit breakers provide total continuity of service in any situation.

LOGICAL SELECTIVITY

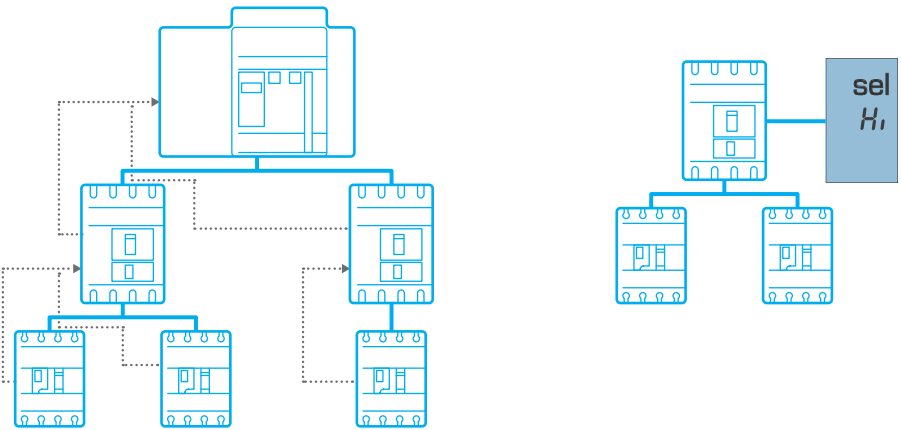
This is "smart" selectivity obtained via communication between electronic DPX³ (and/or DMX³) circuit breakers interconnected by an external wired connection. It can be used to obtain total selectivity on several levels and reduce the thermal and electrodynamic stresses on the cables or the bars, thus optimising the installation.

DYNAMIC SELECTIVITY

Electronic DPX³ MCCBs can be set in 2 positions:

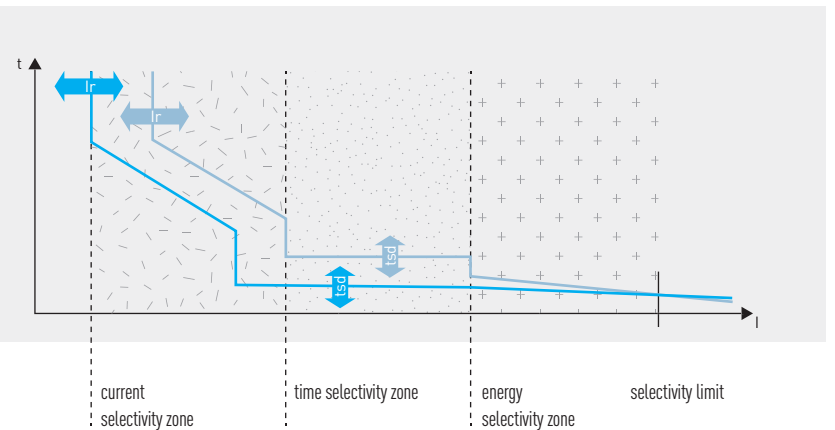
- "Low" for a normal selectivity level
- "High" for a higher selectivity level

Electronic circuit breakers set to "High" have a slight tripping delay which means a high selectivity level can be obtained, even for the highest short-circuit currents.



CURRENT SELECTIVITY AND TIME SELECTIVITY

The accurate settings of electronic DPX³ MCCBs ensures optimum current and time selectivity.



DPX³ HP

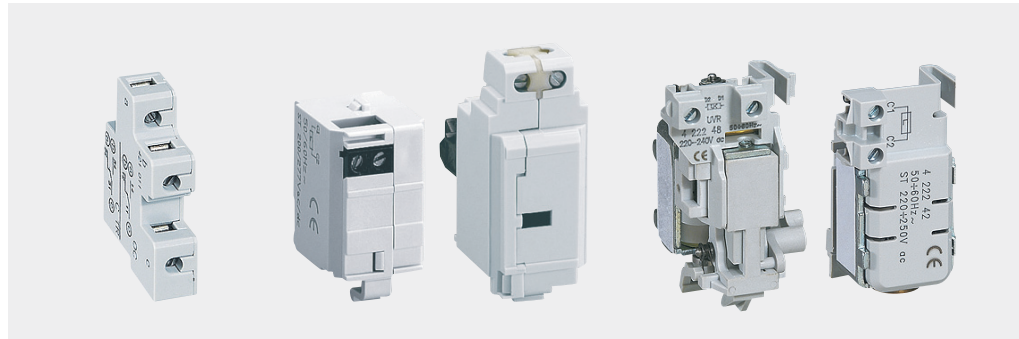
Control and signalling auxiliaries that are easy to install and wire up

8

SAFETY, SIMPLICITY
AND SPEED OF
INSTALLATION



To provide emergency breaking, automatic or remote control, and feedback on the status of the device, all the DPX³ circuit breakers can very easily be fitted with a comprehensive range of electrical auxiliaries.



AUXILIARY CONTACTS or fault signal common to all DPX³ devices

SHUNT RELEASES and undervoltage releases for DPX³ 125 HP and 250 HP

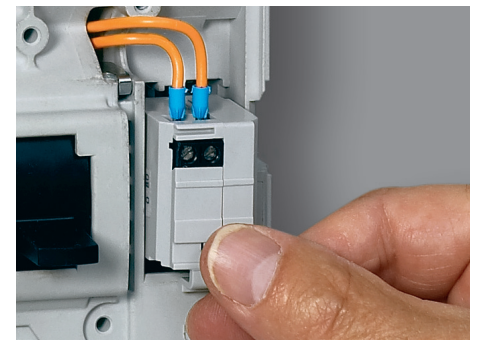
SHUNT RELEASES and undervoltage releases for DPX³ 630 and 1600

9

NUMBER OF AUXILIARIES THAT CAN BE INSTALLED PER DEVICE

	Auxiliary contacts	Fault signals	Releases
DPX ³ 125 HP	1	1	1
DPX ³ 250 HP	1	1	1
DPX ³ 630	2	2	1
DPX ³ 1600	3	1	1

DPX³ MCCBs offer different options for outgoing connection wires.



The auxiliaries are installed in dedicated slots under the front panel.

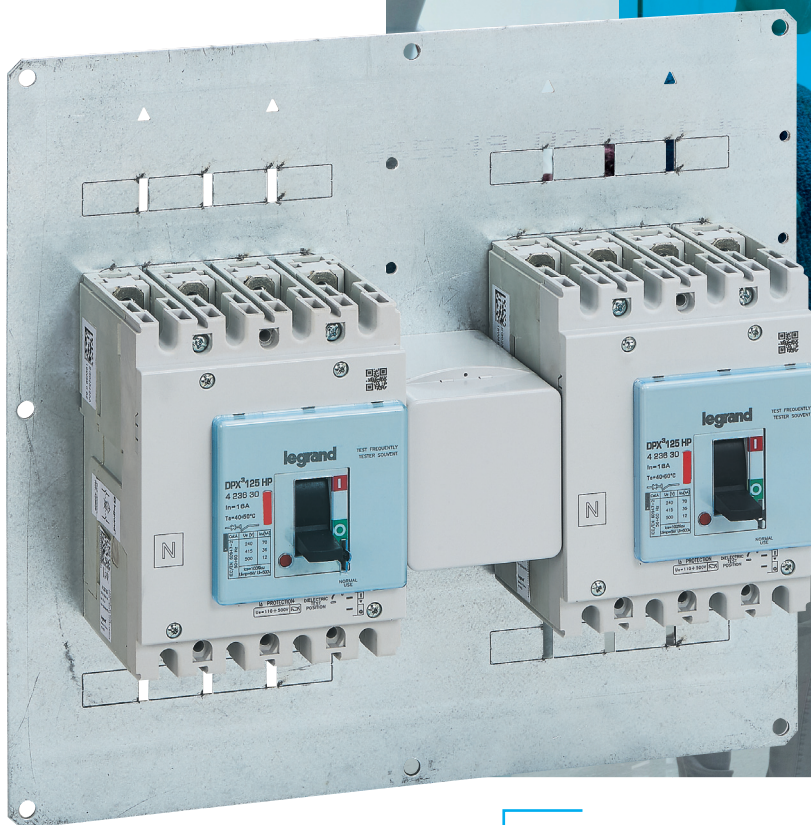
DPX³ HP

Supply inversion and motor operators from 16 to 1600 A

10

The interlocking device for DPX³ HP greatly simplifies the installation of a supply inverter: It consists of a plate and a mechanical interlocking device.

SAFETY, SIMPLICITY
AND SPEED OF
INSTALLATION



The mechanical interlocking device is fitted between two DPX³ HP circuit breakers of the same size. It is also available in a version with an electronic module.



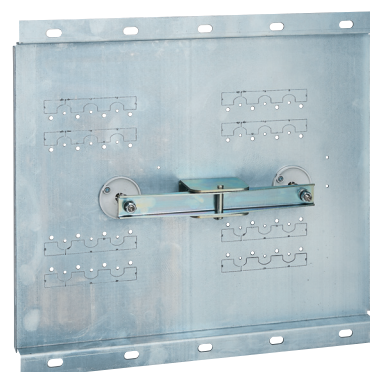
DPX³ HP - FIXED VERSION

The circuit breakers and interlocking device are fixed to the plate with just a few screws.



DPX³ HP - PLUG-IN AND DRAW-OUT VERSION

For supply inverters consisting of DPX³ HP circuit breakers in a plug-in or draw-out version, the plate is fitted with an interlocking device located on the back.



MOTOR OPERATORS

Motor operators for DPX³ HP 250, DPX³ 630 and 1600 are available in a front version. They take different supply voltages from 24 to 230 V, both DC and AC.



DPX³ 250 HP equipped with a front installation motor operator

DPX³ HP

Connection accessories for multiple configurations

12

Connection plates, cage terminals, spreader strips, rear terminals, etc.

DPX³ 125 and 250 HP and DPX³ 630 and 1600 have all the accessories needed for upstream and downstream connection using cables or bars in a multitude of configurations.

CAGE TERMINALS

High-capacity cage terminals can be used for connection with large cross-section copper or aluminium cables.



SPREADERS

These can be used for connection with large cross-section cables.



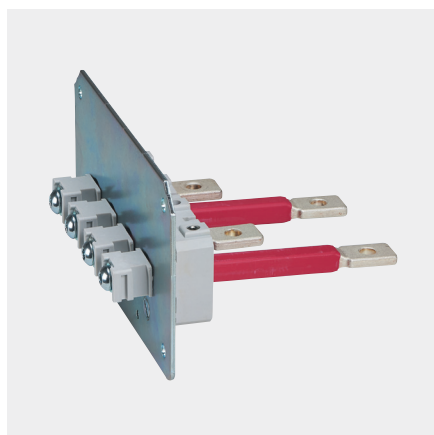
SAFETY,
SIMPLICITY
AND SPEED OF
INSTALLATION



13

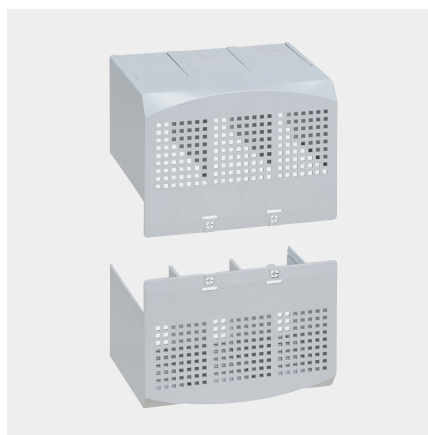
FLAT REAR TERMINALS

These can be turned horizontally or vertically.



TERMINAL COVERS

These provide IP 2X protection for the connections.



Connection accessories	Cage terminals		Connection extensions	Adaptors for lugs	Spreaders	Rear terminals
	standard capacity	high capacity				
DPX ³ 125 HP	•	•			•	•
DPX ³ 250 HP	•				•	•
DPX ³ 630	•	•	•	•	•	•
DPX ³ 1600	•	•	•		•	•



DPX³ HP

Plug-in or draw-out versions for perfect continuity of service

14

Plug-in and draw-out versions can be used to replace a faulty device in just a few minutes without cutting off the power to the other circuits. They are available for DPX³ 250 HP and DPX³ 630 and 1600 circuit breakers.

Bases for plug-in and draw-out devices offer the same connection options as fixed circuit breakers.

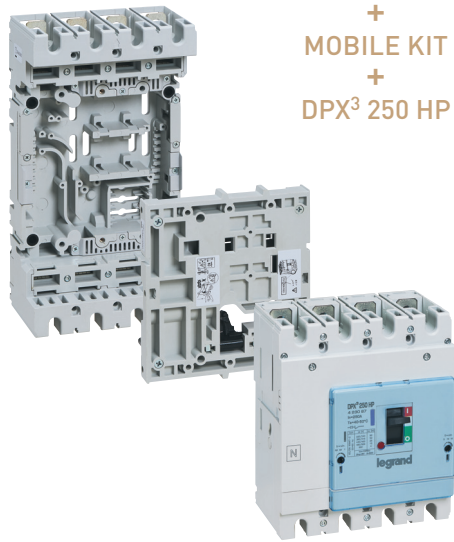
SAFETY,
SIMPLICITY
AND SPEED OF
INSTALLATION



PLUG-IN VERSION

To transform a DPX³ 250 HP fixed version to a plug-in version, you simply need to equip it with a mobile kit (fixed to the back of the device) and a base for a plug-in version (which is installed in the board).

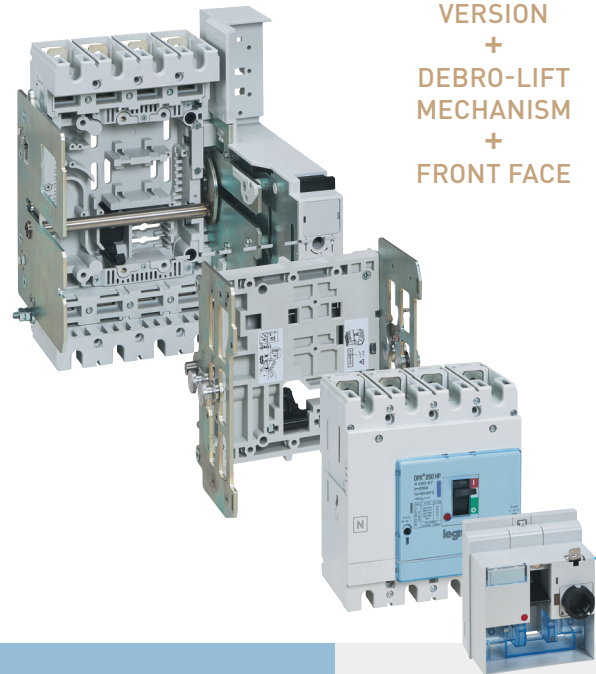
BASE
+
MOBILE KIT
+
DPX³ 250 HP



DRAW-OUT VERSION

A draw-out version of the DPX³ 250 HP is obtained from a plug-in version equipped with a Debro-lift mechanism and a dedicated front face.

PLUG-IN
VERSION
+
DEBRO-LIFT
MECHANISM
+
FRONT FACE



LOCKING

The locking accessory **1** is used to lock the circuit breaker in the "drawn-out" position during maintenance operations. It can be fitted with different models of key barrel. Also available as a padlockable version **2**.



DPX³ HP

XL PRO³ software makes configuring your enclosures simplicity itself

16

XL PRO³ covers the entire
Legrand power offer,
including the new DPX³ HPs.

More than ever, this software
is a must-have when designing
your distribution boards:

- guide to choosing products
and accessories
- view of the enclosure
and component layout
- automatic creation of the costing
and ordering file

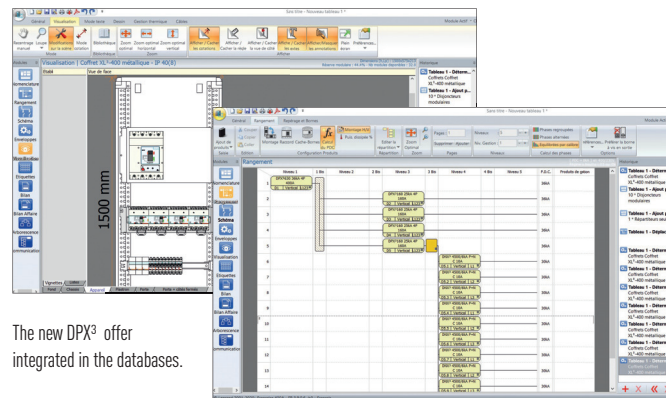
SAFETY,
SIMPLICITY
AND SPEED OF
INSTALLATION



THE IDEAL TOOL FOR MAKING THE DESIGN CALCULATIONS FOR AN ELECTRICAL INSTALLATION

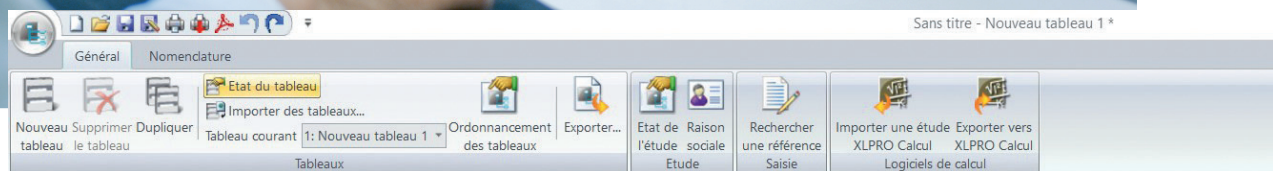
XL PRO³ Calcul can be used to draw single line diagrams, create design calculations and the power analysis, and to calculate the necessary protections with their settings. It interfaces perfectly with XL PRO³.

To order the software, please contact your Legrand sales office. Lifetime updates are available from www.export.legrand.com.



The new DPX³ offer integrated in the databases.

HX³ and VX³ distribution managed directly in the Arrangement, Circuit diagram and Parts list modules.



A redesigned interface for more intuitive use.

DPX³ MCCBs from 16 to 1600 A

fixing on plate



DEVICES	DPX ³ 125 HP thermal magnetic				DPX ³ 250 HP thermal magnetic																		
Mounting	On plate				On plate																		
Breaking capacity (kA) (EN 60947-2 and IEC 60947-2)	36 kA	50 kA	70 kA	100 kA	36 kA	50 kA	70 kA	100 kA															
380/415 V~	36	50	70	100	36	50	70	100															
220/240 V~	70	90	100	150	70	90	100	150															
Service breaking capacity Ics (% Icu)	100	100	100	100	100	100	100	100															
Characteristic of use																							
Nominal frequency	50/60 Hz																						
Maximum rated operating voltage Ue	690 V (500 V with integrated e.l.c.b ⁽¹⁾)				690 V (500 V with integrated e.l.c.b ⁽¹⁾)																		
Category of use	A				A																		
Thermal magnetic adjustment																							
Thermal	0.8 to 1 I _n				0.8 to 1 I _n																		
Magnetic	10 I _n (400 A for I _n from 16 A to 40 A sizes)				400 A for I _n from 16 A to 40 A sizes / 6.5 to 13 I _n for I _n = 50 A 5 to 10 I _n for I _n > 50 A																		
Electronic protection adjustment																							
S1																							
S2																							
Sg																							
Maximum cable cross-section																							
Rigid cable	50 mm ²				150 mm ²																		
Flexible cable	50 mm ²				120 mm ²																		
Copper bar and lug width	17 mm				25 mm ⁽²⁾																		
Tightening torque	7 Nm				I _n ≤ 125 A : 7 Nm / I _n > 125 A : 10 Nm																		
Nominal current (I_n) at 40 °C (A)																							
I _n (A)	16	20	25	32	40	50	63	80	100	125	16	20	25	32	40	50	63	80	100	125	160	200	250
Phase	16	20	25	32	40	50	63	80	100	125	16	20	25	32	40	50	63	80	100	125	160	200	250
N	16	20	25	32	40	50	63	80	100	125	16	20	25	32	40	50	63	80	100	125	160	200	250
Magnetic threshold (I_{sd}) (A)⁽³⁾ of DPX³ and DPX³ HP thermal magnetic																							
Fixed					Adjustable																		
I _n (A)	16	20	25	32	40	50	63	80	100	125	16	20	25	32	40	50	63	80	100	125	160	200	250
Phase	400	400	400	400	400	500	630	800	1000	1250	400	400	400	400	400	325-650	315-630	400-800	500-1000	625-1250	800-1600	1000-2000	1250-2500
N	400	400	400	400	400	500	630	800	1000	1250	400	400	400	400	400	325-650	315-630	400-800	500-1000	625-1250	800-1600	1000-2000	1250-2500
Endurance (cycles)																							
Electrical	8000				6000																		
Mechanical	20000				12000																		
Electronic earth leakage module																							
Type	without or integrated ⁽¹⁾				without or integrated ⁽¹⁾																		

1: Available only for 36 kA and 50 kA breaking capacities
 2: Copper bars only
 3: Trip current for 50/60 Hz. For direct current, multiply by 1.5

DPX³ 250 HP electronic release S1				DPX³ 630 thermal magnetic				DPX³ 630 electronic release				DPX³ 1600 thermal magnetic				DPX³ 1600 electronic release								
On plate				On plate				On plate				On plate				On plate								
36 kA	50 kA	70 kA	100 kA	36 kA	50 kA	70 kA	100 kA	36 kA	50 kA	70 kA	100 kA	36 kA	50 kA	70 kA	100 kA	36 kA	50 kA	70 kA	100 kA					
36	50	70	100	36	50	70	100	36	50	70	100	36	50	70	100	36	50	70	100					
70	90	100	150	70	100	120	170	70	100	120	170	70	100	120	170	70	100	120	170					
100	100	100	100	100	100	100	100	100	100	100	100	100	100	100	100	100	100	100	100					
50/60 Hz				50/60 Hz				50/60 Hz				50/60 Hz				50/60 Hz								
690 V (500 V with integrated e.l.c.b ⁽¹⁾)				690 V~				690 V~				690 V~				690 V~								
A				A				A: In 630 A - B: In 200 to 400 A				A				B								
-				0.8 to 1 In				-				0.8 to 1 In				-								
-				5 to 10 In				-				5 to 10 In				-								
I _r : 0.4 to 1 x I _n I _{sd} : 1.5 to 10 I _r				-				S1				S2				Sg								
								I _r = 0.4 - 1 x I _n				•				•				•				
								I _r = 3-30 s				•				•				•				
								I _{sd} = 1.5 - 10 I _r				•				•				•				
								I _{sd} (I=K) = 0-500 ms				•				•				•				
								I _{sd} (I²t=K) = 0-500 ms				•				•				•				
I _g = 0.2 - 1 x I _n				•				•				•												
I _g = 0.1 - 1 s				•				•				•												
150 mm ²				300 mm ² or 2 x 240 mm ²				300 mm ² or 2 x 240 mm ²				2 or 4 x 240 mm ²				2 or 4 x 240 mm ²								
120 mm ²				240 mm ² or 2 x 185 mm ²				240 mm ² or 2 x 185 mm ²				2 or 4 x 185 mm ²				2 or 4 x 185 mm ²								
25 mm ²				32 mm				32 mm				50 mm				50 mm								
10 Nm				15 Nm				15 Nm				20 Nm				20 Nm								
40	100	160	250	250	320	400	500	630	250	320	400	500	630	500	630	800	1000	1250	500	630	800	1000	1250	1600
40	100	160	250	250	320	400	500	630	250	320	400	500	630	500	630	800	1000	1250	500	630	800	1000	1250	1600
0 - 50 - 100 % of phase value				250	320	400	500	630	0 - 50 - 100 % of phase value				500	630	800	1000	1250	0 - 50 - 100 % of phase value						
Adjustable																								
				250	320	400	500	630	-				500	630	800	1000	1250	-						
				1250-2500	1600-3200	2000-4000	2500-5000	3150-6300	-				2500-5000	3150-6300	4000-8000	5000-10000	6250-12500	-						
				1250-2500	1600-3200	2000-4000	2500-5000	3150-6300	-				2500-5000	3150-6300	4000-8000	5000-10000	6250-12500	-						
6000				5000				5000				4000				4000								
6000				10000				20000				10000				10000								
without or integrated ⁽¹⁾				downstream e.l.c.bs.				downstream e.l.c.bs.				-				-								

DPX³ 125 HP

thermal magnetic release MCCBs from 16 to 125 A - fixing on plate



4 236 49



4 236 59

Dimensions **p. 42**
 Electrical characteristics **p. 45**

Moulded case MCCBs for switching, control isolation and protection of low voltage electrical lines
 Can be fitted with auxiliaries (p. 25)
 Supplied with: screws for connections, fixing screws and insulated shields (phase barriers)
 Can be fitted with cage terminals 120 mm² max. (flexible cable) or 150 mm² max. rigid cable (p. 21)
 Conform to IEC 60947-2 - Sealable adjustment.
 Can be mounted on plate in XL³ and XL³ S cabinets and enclosures

Pack	Cat.Nos		MCCBs - fixed version
			Thermal adjustable from 0.8 to 1 In Magnetic fixed at 10 In (fixed at 400 A for In from 16 A to 40 A)
			Breaking capacity Icu 36 kA (400 V~)
		In (A)	
	3P	4P	
1	4 236 00	4 236 10	16
1	4 236 01	4 236 11	20
1	4 236 02	4 236 12	25
1	4 236 03	4 236 13	32
1	4 236 04	4 236 14	40
1	4 236 05	4 236 15	50
1	4 236 06	4 236 16	63
1	4 236 07	4 236 17	80
1	4 236 08	4 236 18	100
1	4 236 09	4 236 19	125
			Breaking capacity Icu 50 kA (400 V~)
1	4 236 40	4 236 50	16
1	4 236 41	4 236 51	20
1	4 236 42	4 236 52	25
1	4 236 43	4 236 53	32
1	4 236 44	4 236 54	40
1	4 236 45	4 236 55	50
1	4 236 46	4 236 56	63
1	4 236 47	4 236 57	80
1	4 236 48	4 236 58	100
1	4 236 49	4 236 59	125
			Breaking capacity Icu 70 kA (400 V~)
1	4 236 80	4 236 90	16
1	4 236 81	4 236 91	20
1	4 236 82	4 236 92	25
1	4 236 83	4 236 93	32
1	4 236 84	4 236 94	40
1	4 236 85	4 236 95	50
1	4 236 86	4 236 96	63
1	4 236 87	4 236 97	80
1	4 236 88	4 236 98	100
1	4 236 89	4 236 99	125
			Breaking capacity Icu 100 kA (400 V~)
1	4 237 00	4 237 10	16
1	4 237 01	4 237 11	20
1	4 237 02	4 237 12	25
1	4 237 03	4 237 13	32
1	4 237 04	4 237 14	40
1	4 237 05	4 237 15	50
1	4 237 06	4 237 16	63
1	4 237 07	4 237 17	80
1	4 237 08	4 237 18	100
1	4 237 09	4 237 19	125

Pack	Cat.Nos	MCCBs with electronic earth leakage module - fixed version
		Thermal adjustable from 0.8 to 1 In Magnetic fixed at 10 In (fixed at 400 A for In from 16 A to 40 A)
		Equipped with earth leakage module Adjustable sensitivity: 0.03 - 0.3 - 1 - 3 A Adjustable tripping: 0 - 0.3 - 1 - 3s (with 0.03 A possible only 0 s)
		Breaking capacity Icu 36 kA (400 V~)
		In (A)
	4P	
1	4 236 30	16
1	4 236 31	20
1	4 236 32	25
1	4 236 33	32
1	4 236 34	40
1	4 236 35	50
1	4 236 36	63
1	4 236 37	80
1	4 236 38	100
1	4 236 39	125
		Breaking capacity Icu 50 kA (400 V~)
1	4 236 70	16
1	4 236 71	20
1	4 236 72	25
1	4 236 73	32
1	4 236 74	40
1	4 236 75	50
1	4 236 76	63
1	4 236 77	80
1	4 236 78	100
1	4 236 79	125

DPX³-I 125 HP trip-free switches **p. 38**

DPX³ 125 HP

equipment and accessories



Pack	Cat.Nos	Rotary handles
1	4 238 70	Direct on DPX³ Standard (grey)
1	4 238 71	For emergency use (red/yellow)
		Vari-depth handle IP 55 Comprising: connection rod, bracket, self-adhesive drilling template, mounting accessories and door lock mechanism
1	4 238 72	Standard (grey)
1	4 238 73	For emergency use (red/yellow)
		Locking accessories for vari-depth handles To be equipped with universal keylocks Cat.No 4 238 80/81/82/83 For vari-depth handle Cat.Nos 4 238 02/03 (p. 24) and 4 238 72/73
1	4 238 05	
		Connection accessories
		Insulated shields (phase barriers)
1	4 238 34	Set of 2 insulated shields for DPX ³ 125/250 HP 3P
1	4 238 35	Set of 3 insulated shields for DPX ³ 125/250 HP 4P
		Padlock
1	4 210 49	Padlock for locking in "open" position For DPX ³ 160/250 and DPX 125/250 HP
		Cage terminals For Cu/Al cables, 1 x 50 mm ² for flexible and rigid cables
1	4 238 74	Set of 3 terminals for DPX ³ 125 HP 3P
1	4 238 75	Set of 4 terminals for DPX ³ 125 HP 4P
		High capacity cage terminals For Cu/Al cables, 1 x 120 mm ² for flexible cables and 1 x 150 mm ² for rigid cable
1	4 238 76	Set of 3 terminals for DPX ³ 125 HP 3P
1	4 238 77	Set of 4 terminals for DPX ³ 125 HP 4P
		Spreaders For incoming bars or cable lugs
1	4 238 88	Set of 3 spreaders for DPX ³ 125 HP 3P
1	4 238 89	Set of 4 spreaders for DPX ³ 125 HP 4P
		Rear terminals Used to convert a fixed version with front terminals to a fixed version with rear terminals
1	4 238 91	Set of 3 rear terminals for DPX ³ 125 HP 3P
1	4 238 92	Set of 4 rear terminals for DPX ³ 125 HP 4P

Pack	Cat.Nos	Sealable terminal shields
		For front terminals
1	4 238 93	For DPX ³ 125 HP 3P
1	4 238 94	For DPX ³ 125 HP 4P
		Mechanical interlock for transfer switches
1	4 238 27	Interlocking mechanism for 2 fixed DPX ³ 125/250 HP MCCBs
1	4 238 28	Interlocking mechanism for 2 fixed DPX ³ 125/250 HP MCCBs with electronic module
1	4 238 25	Plate for mounting and interlocking of 2 DPX ³ 125 HP
		Universal key locks for DPX³ HP 125/250 Allow locking of rotary handles, draw-out mechanisms or motor-driven handles. To be used in combination with locking accessories Cat.No 4 238 05 and 4 238 04/45/46/62/63 (p. 24)
1	4 238 80	Key barrel and flat key with random mapping
1	4 238 81	Key barrel and flat key with fixed mapping EL43525
1	4 238 82	Key barrel and flat key with fixed mapping EL43363
1	4 238 83	Key barrel and star key with random mapping

DPX³ 250 HP

thermal magnetic release MCCBs from 16 to 250 A - fixing on plate



4 230 72



4 230 87



4 231 17

Dimensions **p. 43**
Electrical characteristics **p.45**

Moulded case MCCBs for switching, control isolation and protection of low voltage electrical lines. Can be fitted with auxiliaries (p. 25)
Supplied with: screws for connections, fixing screws, and insulated shileds (phase barriers)
Can be fitted with cage terminals 120 mm² max. (flexible cable) or 150 mm² max. rigid cable (p. 25)
Can be mounted on plate in XL³ and XL³ S cabinets and enclosures
Conform to IEC 60947-2

Pack	Cat.Nos		MCCBs - fixed version
			Thermal adjustable from 0.8 to 1 In Magnetic: fixed at 400 A for In ≤ 40 A, adjustable from 6.5 to 13 In for In = 50 A, adjustable from 5 to 10 In for In ≥ 63 A
			Breaking capacity Icu 36 kA (400 V~)
	3P	4P	In (A)
1	4 230 00	4 230 15	16
1	4 230 01	4 230 16	20
1	4 230 02	4 230 17	25
1	4 230 03	4 230 18	32
1	4 230 04	4 230 19	40
1	4 230 05	4 230 20	50
1	4 230 06	4 230 21	63
1	4 230 07	4 230 22	80
1	4 230 08	4 230 23	100
1	4 230 09	4 230 24	125
1	4 230 10	4 230 25	160
1	4 230 11	4 230 26	200
1	4 230 12	4 230 27	250
			Breaking capacity Icu 50 kA (400 V~)
1	4 230 60	4 230 75	16
1	4 230 61	4 230 76	20
1	4 230 62	4 230 77	25
1	4 230 63	4 230 78	32
1	4 230 64	4 230 79	40
1	4 230 65	4 230 80	50
1	4 230 66	4 230 81	63
1	4 230 67	4 230 82	80
1	4 230 68	4 230 83	100
1	4 230 69	4 230 84	125
1	4 230 70	4 230 85	160
1	4 230 71	4 230 86	200
1	4 230 72	4 230 87	250
			Breaking capacity Icu 70 kA (400 V~)
1	4 231 20	4 231 35	16
1	4 231 21	4 231 36	20
1	4 231 22	4 231 37	25
1	4 231 23	4 231 38	32
1	4 231 24	4 231 39	40
1	4 231 25	4 231 40	50
1	4 231 26	4 231 41	63
1	4 231 27	4 231 42	80
1	4 231 28	4 231 43	100
1	4 231 29	4 231 44	125
1	4 231 30	4 231 45	160
1	4 231 31	4 231 46	200
1	4 231 32	4 231 47	250
			Breaking capacity Icu 100 kA (400 V~)
1	4 231 50	4 231 65	16
1	4 231 51	4 231 66	20
1	4 231 52	4 231 67	25
1	4 231 53	4 231 68	32

Pack	Cat.Nos		MCCBs - fixed version (continued)
			Breaking capacity Icu 100 kA (400 V~) (continued)
			In (A)
1	4 231 54	4 231 69	40
1	4 231 55	4 231 70	50
1	4 231 56	4 231 71	63
1	4 231 57	4 231 72	80
1	4 231 58	4 231 73	100
1	4 231 59	4 231 74	125
1	4 231 60	4 231 75	160
1	4 231 61	4 231 76	200
1	4 231 62	4 231 77	250
			MCCBs with electronic earth leakage module - fixed version
			Thermal adjustable from 0.8 to 1 In Magnetic: fixed at 400 A for In ≤ 40 A, adjustable from 6.5 to 13 In for In = 50 A, adjustable from 5 to 10 In for In ≥ 63 A Equipped with earth leakage module Adjustable sensitivity: 0.03 - 0.3 - 1 - 3 A Adjustable tripping: 0 - 0.3 - 1 - 3s (with 0.03 A possible only 0s)
			Breaking capacity Icu 36 kA (400 V~)
			In (A)
1	4 230 45		16
1	4 230 46		20
1	4 230 47		25
1	4 230 48		32
1	4 230 49		40
1	4 230 50		50
1	4 230 51		63
1	4 230 52		80
1	4 230 53		100
1	4 230 54		125
1	4 230 55		160
1	4 230 56		200
1	4 230 57		250
			Breaking capacity Icu 50 kA (400 V~)
1	4 231 05		16
1	4 231 06		20
1	4 231 07		25
1	4 231 08		32
1	4 231 09		40
1	4 231 10		50
1	4 231 11		63
1	4 231 12		80
1	4 231 13		100
1	4 231 14		125
1	4 231 15		160
1	4 231 16		200
1	4 231 17		250

DPX³ 250 HP

S1 electronic release MCCBs from 40 to 250 A - fixing on plate



4 232 28

Dimensions **p. 43**
 Electrical characteristics **p. 45**

Moulded case MCCBs for switching, control isolation and protection of low voltage electrical lines. Can be fitted with auxiliaries (p. 25)
 Supplied with: screws for connection fixing screws, connection plates for bars and cable lugs and insulated shileds (phase barriers)
 Can be fitted with cage terminals 120 mm² max. (flexible cable) or 150 mm² max. rigid cable (p. 25)
 Can be mounted on plate in XL³ and XL³ S cabinets and enclosures
 Conform to IEC 60947-2

Pack	Cat.Nos		MCCBs - fixed version
			Protection against overloads: I _r adjustable from 0.4 to 1 x I _n t _r adjustable from 3 to 15s Protection against short circuits: I _{sd} adjustable from 1.5 to 10 x I _r t _{sd} adjustable from 0 to 0.5s
			Breaking capacity I_{cu} 36 kA (400 V_~)
			I _n (A)
1	3P 4 232 00	4P 4 232 05	40
1	4 232 01	4 232 06	100
1	4 232 02	4 232 07	160
1	4 232 03	4 232 08	250
			Breaking capacity I_{cu} 50 kA (400 V_~)
1	4 232 20	4 232 25	40
1	4 232 21	4 232 26	100
1	4 232 22	4 232 27	160
1	4 232 23	4 232 28	250
			Breaking capacity I_{cu} 70 kA (400 V_~)
1	4 232 40	4 232 45	40
1	4 232 41	4 232 46	100
1	4 232 42	4 232 47	160
1	4 232 43	4 232 48	250
			Breaking capacity I_{cu} 100 kA (400 V_~)
1	4 232 50	4 232 55	40
1	4 232 51	4 232 56	100
1	4 232 52	4 232 57	160
1	4 232 53	4 232 58	250

Pack	Cat.Nos	MCCBs with electronic earth leakage module - fixed version
		Protection against overloads: I _r adjustable from 0.4 to 1 x I _n t _r adjustable from 3 to 15s Protection against short circuits: I _{sd} adjustable from 1.5 to 10 x I _r t _{sd} adjustable from 0 to 0.5s Equipped with earth leakage module with knobs Adjustable sensitivity: 0.03 - 0.3 - 1 - 3 A Adjustable tripping: 0 - 0.3 - 1 - 3s (with 0.03 A possible only 0s)
		Breaking capacity I_{cu} 36 kA (400 V_~)
		I _n (A)
		4P
1	4 232 15	40
1	4 232 16	100
1	4 232 17	160
1	4 232 18	250
		Breaking capacity I_{cu} 50 kA (400 V_~)
1	4 232 35	40
1	4 232 36	100
1	4 232 37	160
1	4 232 38	250

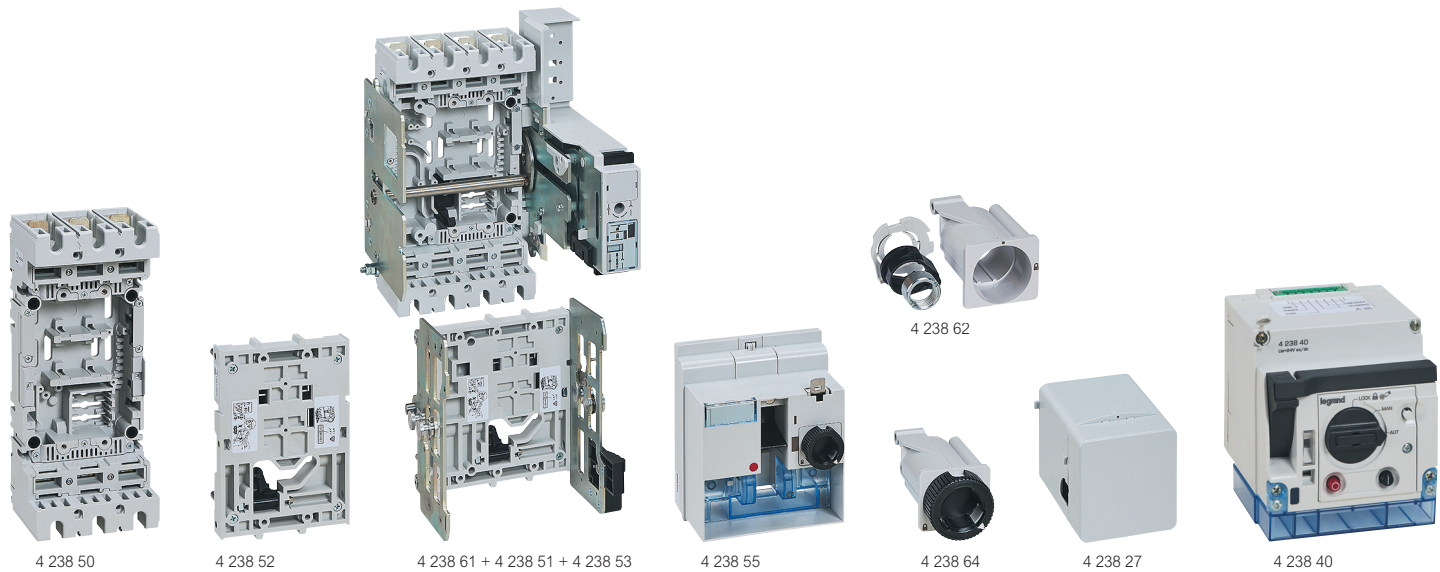
DPX³-I 250 HP trip-free switches
p. 38

DPX³ 250 HP magnetic release only
p. 39

Signalling and control accessories
p. 25

DPX³ 250 HP

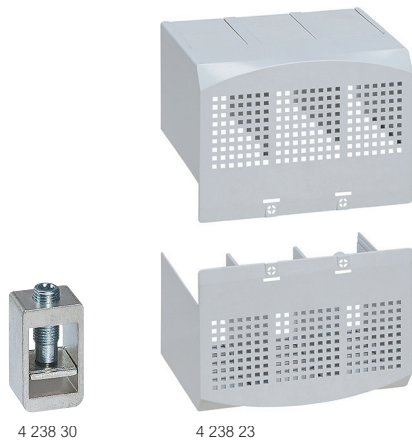
equipment and accessories



Pack	Cat.Nos	Plug-in version
1	4 238 50 4 238 51	A DPX ³ HP plug-in version is a DPX ³ HP fitted with a plug-in mobile part kit and mounted on a plug-in base
		Plug-in bases For DPX ³ 250 HP
1	4 238 52 4 238 53	Plug-in mobile part kit For DPX ³ 250 HP
1	4 238 63	Locking accessory Locking accessory for plug-in version. To be equipped with universal keylocks Cat.No 4 238 80/81/82/83 (p. 25)
		Draw-out version
		A DPX ³ HP draw-out version is a plug-in DPX ³ HP fitted with a "Debro-lift mechanism" and a "Draw-out front cover mask" which can be used to withdraw the DPX ³ HP while keeping it on its base
1	3P/4P 4 238 60 4 238 61	Debro-lift mechanism For DPX ³ 250 HP ; Supplied with handle
1	4 238 55	Draw-out front cover masks For DPX ³ 250 HP alone
1	4 238 56	For DPX ³ 250 HP with motor-driven handle
1	4 238 62	Locking accessory in draw-out position Enable locking of DPX ³ 250 HP in draw-out position. To be equipped with universal keylocks Cat.No 4 238 80/81/82/83 (p. 25)
	4 238 64	Padlock in draw-out position Enable padlocking of DPX ³ HP in draw-out position
1	4 222 30	Auxiliary contact Automatic auxiliary contact for DPX ³ HP draw-out version (up to 2 contacts by DPX ³ -HP)
1	0 098 19	Set of connectors for plug-in and draw-out versions Signalling contact plugged-in / drawn-out
1	4 210 48	Signalling contact For DPX ³ 160/250 and DPX ³ 250 HP plug-in versions

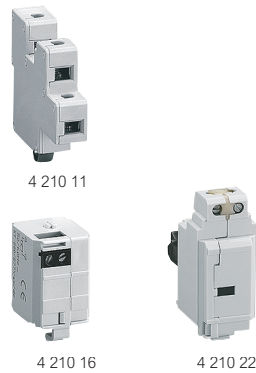
Pack	Cat.Nos	Mechanical interlock for transfer switches
1	4 238 27	Interlocking mechanism for 2 fixed DPX ³ 125/250 HP MCCBs
1	4 238 28	Interlocking mechanism for 2 fixed DPX ³ 125/250 HP MCCBs with electronic module
1	4 238 29	Rear interlocking mechanism for 2 plug-in / draw-out DPX ³ 250 HP MCCBs
1	4 238 26	Plate for mounting and interlocking of 2 DPX ³ 250 HP
		Rotary handles
		Direct on DPX³
1	4 238 00	Standard (grey)
1	4 238 01	For emergency use (red/yellow)
		Vari-depth handle IP 55
		Comprising: connection rod, bracket, self-adhesive drilling template, mounting accessories and door lock mechanism
1	4 238 02	Standard (grey)
1	4 238 03	For emergency use (red/yellow)
		Locking accessories for rotary handles
		To be equipped with universal keylocks Cat.No 4 238 80/81/82/83 (p. 25)
1	4 238 04	For direct handle Cat.No 4 238 00/01
1	4 238 05	For vari-depth handle Cat.Nos 4 238 02/03 and 4 238 72/73 (p. 21)
		Auxiliary contact for rotary handles
1	4 238 06	1 N/C + 1 N/O auxiliary contact for rotary handles
		Motor-driven handles
		Front installation motor operators
1	4 238 40	24 V~ =
1	4 238 41	48 V~ =
1	4 238 42	110 V~
1	4 238 43	230 V~
		Locking accessories for motor-driven handles
1	4 238 45	Locking accessory for motor operators Cat.Nos 4 238 40/41/42/43. To be equipped with universal keylocks Cat.No 4 238 80/81/82/83 (p. 25)
1	4 238 46	Padlock for motor operators Cat.Nos 4 238 40/41/42/43

DPX³ 250 HP equipment and accessories (continued)



Pack	Cat.Nos	Connection accessories
		Insulated shields (phase barriers)
1	4 238 34	Set of 2 insulated shields for DPX ³ HP 125/250 3P
1	4 238 35	Set of 3 insulated shields for DPX ³ HP 125/250 4P
		Padlock
1	4 210 49	Padlock for locking in "open" position For DPX ³ 160/250 and DPX ³ 125/250 HP
		Cage terminals
		For Cu/Al cables, 1 x 120 mm ² for flexible cables and 1 x 150 mm ² for rigid cable
1	4 238 30	Set of 3 terminals for DPX ³ 250 HP 3P
1	4 238 31	Set of 4 terminals for DPX ³ 250 HP 4P
		Sealable terminal shields (for front terminals)
1	4 238 23	For DPX ³ 250 HP 3P
1	4 238 24	For DPX ³ 250 HP 4P
		Spreaders
		For incoming bars or cable lugs
1	6 250 14	Set of 3 spreaders for DPX ³ 250 HP 3P
1	6 250 18	Set of 4 spreaders for DPX ³ 250 HP 4P
		Rear terminals
		Flat swivel terminals Used to convert a fixed version with front terminals to a fixed version with rear terminals
1	4 238 21	Set of 3 rear terminals for DPX ³ 250 HP 3P
1	4 238 22	Set of 4 rear terminals for DPX ³ 250 HP 4P
		Universal key locks for DPX³ HP 125/250
		Allow locking of rotary handles, draw-out mechanisms or motor-driven handles. To be used in combination with locking accessories Cat.No 4 238 04/05/45/46/62/63 (p. 24)
1	4 238 80	Key barrel and flat key with random mapping
1	4 238 81	Key barrel and flat key with fixed mapping EL43525
1	4 238 82	Key barrel and flat key with fixed mapping EL43363
1	4 238 83	Key barrel and star key with random mapping

DPX³ 125/250 HP common auxiliaries and accessories



Pack	Cat.Nos	Auxiliary contact or fault signal
1	4 210 11	Auxiliary contact or fault signalling contact
		Shunt releases
		Allow remote tripping of a DPX ³ /DPX ³ -I 160/250 and DPX ³ /DPX ³ -I 125/250 HP
1	4 210 12	12 V \sim /=
1	4 210 13	24 V \sim /=
1	4 210 14	48 V \sim /=
1	4 210 15	110-130 V \sim
1	4 210 16	200-277 V \sim
1	4 210 17	380-480 V \sim
		Undervoltage releases
		Allow remote tripping of a DPX ³ /DPX ³ -I 160/250 and DPX ³ /DPX ³ -I 125/250 HP
1	4 210 18	12 V \sim /=
1	4 210 19	24 V \sim /=
1	4 210 20	48 V \sim /=
1	4 210 21	110-130 V \sim /=
1	4 210 22	200-240 V \sim
1	4 210 23	277 V \sim
1	4 210 24	380-415 V \sim
1	4 210 25	440-480 V \sim
		Time lag (800 ms) undervoltage release
		Allow remote tripping of a DPX ³ /DPX ³ -I Prevents false tripping in the event of power supply microbreaks
		Time-lag modules
1	0 261 90	230 V \sim
1	0 261 91	400 V \sim
		Release
		To be equipped with a time-lag module Cat.Nos 0 261 90/91
1	4 210 98	For DPX ³ /DPX ³ -I 160/250 and DPX ³ /DPX ³ -I 125/250 HP

Number of modules
3
3

DPX³ 630

thermal magnetic release MCCBs from 250 to 630 A - fixing on plate



4 220 02



4 220 07

Dimensions **p. 46**
 Electrical characteristics **p. 49**

Moulded case MCCBs for switching, control isolation and protection of low voltage electrical lines
 Can be fitted with auxiliaries (p. 36)
 Can be used with earth leakage modules (p. 30) or with residual current relays (p. 37)
 Supplied complete with:
 - fixing screws
 - connection plates for bars
 - insulated shields (phase barriers)
 Conform to IEC 60947-2 - Sealable adjustment
 Can be mounted on plate in XL³ and XL³ S cabinets and enclosures

Pack	Cat.Nos		In (A)
MCCBs thermal magnetic release - fixed version			
Thermal adjustable from 0.8 to 1 In Magnetic adjustable from 5 to 10 In			
Breaking capacity Icu 36 kA (400 V~)			
	3P	4P	
1	4 220 00	4 220 05	250
1	4 220 01	4 220 06	320
1	4 220 02	4 220 07	400
1	4 220 03	4 220 08	500
1	4 220 04	4 220 09	630
	3P + N/2		
1	4 220 10		320
1	4 220 11		400
1	4 220 12		500
1	4 220 13		630
Breaking capacity Icu 50 kA (400 V~)			
	3P	4P	
1	4 220 14	4 220 19	250
1	4 220 15	4 220 20	320
1	4 220 16	4 220 21	400
1	4 220 17	4 220 22	500
1	4 220 18	4 220 23	630
	3P + N/2		
1	4 220 24		320
1	4 220 25		400
1	4 220 26		500
1	4 220 27		630

Pack	Cat.Nos		In (A)
MCCBs thermal magnetic release - fixed version (continued)			
Breaking capacity Icu 70 kA (400 V~)			
	3P	4P	
1	4 220 28	4 220 33	250
1	4 220 29	4 220 34	320
1	4 220 30	4 220 35	400
1	4 220 31	4 220 36	500
1	4 220 32	4 220 37	630
	3P + N/2		
1	4 220 38		320
1	4 220 39		400
1	4 220 40		500
1	4 220 41		630
Breaking capacity Icu 100 kA (400 V~)			
	3P	4P	
1	4 220 42	4 220 47	250
1	4 220 43	4 220 48	320
1	4 220 44	4 220 49	400
1	4 220 45	4 220 50	500
1	4 220 46	4 220 51	630
	3P + N/2		
1	4 220 52		320
1	4 220 53		400
1	4 220 54		500
1	4 220 55		630

DPX³-I 630 trip-free switches
p. 38

DPX³ 630 magnetic release only
p. 39

DPX³ 630

S1 electronic release MCCBs from 250 to 630 A - fixing on plate



4 225 15

Dimensions **p. 46**
 Electrical characteristics **p. 49**

Moulded case MCCBs for switching, control isolation and protection of low voltage electrical lines
 Can be fitted with auxiliaries (p. 36)
 Can be used with earth leakage modules (p. 30) or with residual current relays (p. 37)
 Do not accept DPX³ electronic interface for Modbus Cat.No 4 210 75 (p. 36)
 Supplied complete with:
 - fixing screws
 - connection plates for bars
 - insulated shields (phase barriers)
 Conform to IEC 60947-2 - Sealable adjustment
 Can be mounted on plate in XL³ and XL³ S cabinets and enclosures

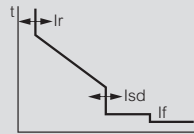
Pack	Cat.Nos		MCCBs electronic release S1 - fixed version
			Adjustment of Ir, Isd (opposite) Instantaneous protection If = 5 kA Green indicator lamp Connector for test unit Dynamic selectivity 4P version: adjustment of neutral on front panel
			Breaking capacity Icu 36 kA (400 V~)
			In (A)
1	3P 4 224 98	4P 4 225 03	250
1	4 224 99	4 225 04	320
1	4 225 00	4 225 05	400
1	4 225 01	4 225 06	500
1	4 225 02	4 225 07	630
			Breaking capacity Icu 50 kA (400 V~)
1	4 225 08	4 225 13	250
1	4 225 09	4 225 14	320
1	4 225 10	4 225 15	400
1	4 225 11	4 225 16	500
1	4 225 12	4 225 17	630
			Breaking capacity Icu 70 kA (400 V~)
1	4 225 18	4 225 23	250
1	4 225 19	4 225 24	320
1	4 225 20	4 225 25	400
1	4 225 21	4 225 26	500
1	4 225 22	4 225 27	630
			Breaking capacity Icu 100 kA (400 V~)
1	4 225 28	4 225 33	250
1	4 225 29	4 225 34	320
1	4 225 30	4 225 35	400
1	4 225 31	4 225 36	500
1	4 225 32	4 225 37	630

DPX³ 630/1600

electronic release

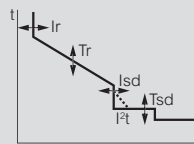
Performance data

S1 - Adjustment of Ir, Isd



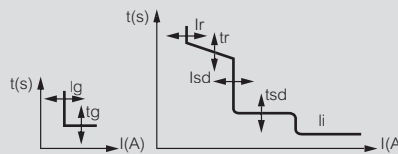
Protection against overloads:
 - Ir adjustable from 0.4 to 1 x In
 Protection against short circuits:
 - Isd adjustable from 1.5 to 10 x Ir
 Instantaneous protection If = 5 kA

S2 - Adjustment of Ir, tr, Isd, tsd



Protection against overloads:
 - Ir adjustable from 0.4 to 1 x In
 - tr adjustable from 3 to 15 s
 Protection against short circuits:
 - Isd adjustable from 1.5 to 10 x Ir
 - tsd adjustable from 0 to 0.5 s

Sg - Adjustment of Ir, tr, Isd, tsd, Ig, tg



Protection against overloads:
 - Ir adjustable from 0.4 to 1 x In
 - tr adjustable from 3 to 15 s
 Protection against short circuits:
 - Isd adjustable from 1.5 to 10 x Ir
 - tsd adjustable from 0 to 0.5 s
 Protection against earth fault:
 - Ig adjustable: from 0.2 to 1 x In and OFF position
 - tg adjustable from 0.1 to 1 s

DPX³ 630

S2 electronic release MCCBs from 250 to 630 A - fixing on plate



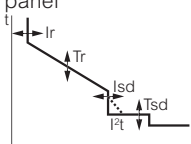
4 220 60

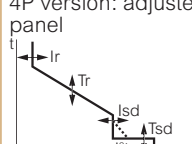


4 220 65

Dimensions **p. 46**
Electrical characteristics **p. 49**

Moulded case MCCBs for switching, control isolation and protection of low voltage electrical lines
Can be fitted with auxiliaries (p. 36)
Can be used with earth leakage modules (p. 30) or with residual current relays (p. 37)
Supplied complete with:
- fixing screws
- connection plates for bars
- insulated shields (phase barriers)
Conform to IEC 60947-2 - Sealable adjustment
Can be mounted on plate in XL³ and XL³ S cabinets and enclosures

Pack	Cat.Nos		
			MCCBs electronic release S2 - fixed version
			Adjustment of I_r , I_{sd} , t_r , t_{sd} (p. 19) Instantaneous protection $I_f = 5$ kA Green indicator lamp Connector for test unit Logic and dynamic selectivity 4P version: adjustment of neutral on front panel
			
			Breaking capacity Icu 36 kA (400 V~)
	3P	4P	In (A)
1	4 220 56	4 220 61	250
1	4 220 57	4 220 62	320
1	4 220 58	4 220 63	400
1	4 220 59	4 220 64	500
1	4 220 60	4 220 65	630
			Breaking capacity Icu 50 kA (400 V~)
1	4 220 66	4 220 71	250
1	4 220 67	4 220 72	320
1	4 220 68	4 220 73	400
1	4 220 69	4 220 74	500
1	4 220 70	4 220 75	630
			Breaking capacity Icu 70 kA (400 V~)
1	4 220 76	4 220 81	250
1	4 220 77	4 220 82	320
1	4 220 78	4 220 83	400
1	4 220 79	4 220 84	500
1	4 220 80	4 220 85	630
			Breaking capacity Icu 100 kA (400 V~)
1	4 220 86	4 220 91	250
1	4 220 87	4 220 92	320
1	4 220 88	4 220 93	400
1	4 220 89	4 220 94	500
1	4 220 90	4 220 95	630

Pack	Cat.Nos		
			MCCBs electronic release S2 with energy metering central unit - fixed version
			Adjustment of I_r , I_{sd} , t_r , t_{sd} (p. 19) Instantaneous protection $I_f = 5$ kA Green indicator lamp Connector for test unit Logic and dynamic selectivity 4P version: adjustment of neutral on front panel
			
			Breaking capacity Icu 36 kA (400 V~)
	3P	4P	In (A)
1	4 220 96	4 221 01	250
1	4 220 97	4 221 02	320
1	4 220 98	4 221 03	400
1	4 220 99	4 221 04	500
1	4 221 00	4 221 05	630
			Breaking capacity Icu 50 kA (400 V~)
1	4 221 06	4 221 11	250
1	4 221 07	4 221 12	320
1	4 221 08	4 221 13	400
1	4 221 09	4 221 14	500
1	4 221 10	4 221 15	630
			Breaking capacity Icu 70 kA (400 V~)
1	4 221 16	4 221 21	250
1	4 221 17	4 221 22	320
1	4 221 18	4 221 23	400
1	4 221 19	4 221 24	500
1	4 221 20	4 221 25	630
			Breaking capacity Icu 100 kA (400 V~)
1	4 221 26	4 221 31	250
1	4 221 27	4 221 32	320
1	4 221 28	4 221 33	400
1	4 221 29	4 221 34	500
1	4 221 30	4 221 35	630

DPX³ 630

earth leakage modules

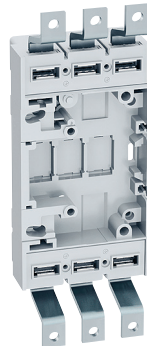


0 260 63

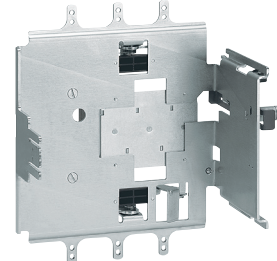
Pack	Cat.Nos		Earth leakage modules
			Can be fitted onto DPX ³ /DPX ³ -I 630 Adjustable, sealable sensitivity: 0.03 - 0.3 - 1 - 3 A Adjustable, time delay: 0 - 0.3 - 1 - 3 s Test push-button Reset push-button Remote earth fault signalling contact Switch for mechanical tests (installation insulation test) Mounted underneath 230-500 V~
			Standard
			In (A)
1	3P 0 260 60	4P 0 260 61	400
1	0 260 64	0 260 65	630
			LED version
			Monitors the isolation state of the installation via a series of LEDs
			In (A)
1	4P 0 260 63		400
1	0 260 67		630

DPX³ 630

equipment and accessories



4 222 22



4 222 32

Pack	Cat.Nos		Plug-in version
			A plug-in is a DPX ³ fitted with special terminals and mounted on a plug-in base
			Special terminals for plug-in/draw-out base
			Set of incoming and outgoing terminals (6 terminals for 3P DPX ³ or 8 terminals for 4P DPX ³)
			Bases for DPX³ only
			Accept DPX ³ /DPX ³ -I fitted with special terminals
			Front terminal mounting base
			Flat rear terminal mounting base
			Bases for DPX³ with earth leakage module
			Front terminal mounting base
			Flat rear terminal mounting base
			Accessories
			Set of 2 extractor handle
			Set of connectors (24-pin)
			Draw-out version
			A DPX ³ draw-out version is a plug-in DPX ³ fitted with a "Debro-lift" mechanism which can be used to withdraw the DPX ³ while keeping it on its base
			"Debro-lift" mechanism
			Supplied with a rigid slide and handle for drawing-out
			For DPX ³ base only
			For DPX ³ base with earth leakage module
			Key-lock for "Debro-lift" mechanism
			Enable locking of DPX ³ in drawn-out position
			Flat key n°HBA90GPS6149
			Star key n°ABA90GEL6149
			One key for DPX ³ only
			One key for motorised DPX ³ or with rotary handle
			Accessories for "Debro-lift" mechanism
			Handle for drawing-out
			Signalling contact (plugged-in/drawn-out)
			Auxiliary contacts
			Automatic auxiliary contacts for DPX ³ draw-out version (up to 2 contacts by DPX ³)
			Plates for transfer switches
			Factory assembled
			A transfer switch plate is composed of one plate with interlock for 2 devices
			Plate for MCCB or trip-free switch fixed version
			Plate for MCCB or trip-free switch plug-in and draw-out version

DPX³ 630

equipment and accessories (continued)



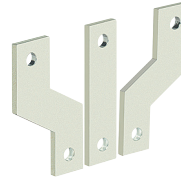
4 226 30



0 261 40



0 262 50



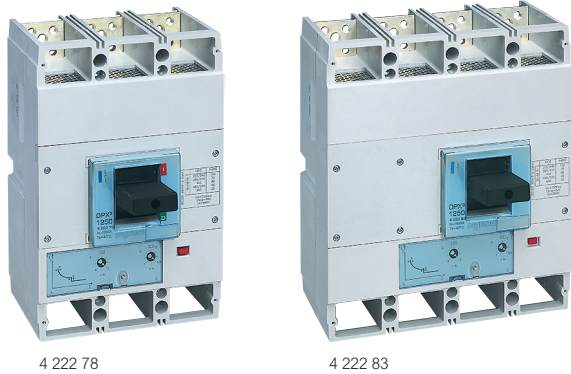
0 262 48

Pack	Cat.Nos	Rotary handles
1	0 262 41	Direct on DPX³
1	4 222 38	Standard (grey)
		For emergency use (red/yellow) - can be fitted on Cat.Nos 0 262 22, 0 262 41 or 0 262 81
		Vari-depth handle IP 55
		Comprising: connection rod, bracket, self-adhesive drilling template, mounting accessories and door lock mechanism
1	0 262 81	Standard (grey)
1	0 262 82	For emergency use (red/yellow) can be fitted on Cat.Nos 0 262 81 or 0 262 41
		Locking accessories
		For vary-depth handle
1	4 228 04	Key barrel and Ronis key EL43525
1	4 228 05	Key barrel and Ronis key EL43363
1	0 262 93	Key barrel and flat key N° ABA90GEL6149
1	0 262 94	Key barrel and star key N° HBA90GPS6149
		Motor-driven handles
		Front installation
1	4 226 30	230 V~
		Front installation - fast closing
1	0 261 40	24 V~/=
1	0 261 41	48 V~/=
1	0 261 44	230 V~
		Accessories
1	0 261 59	Lock and flat key N° ABA90GEL6149
1	0 261 58	Lock and star key N° HBA90GPS6149

Pack	Cat.Nos	Accessories
		Insulated shields (phase barriers)
1	0 262 30	Set of 3
		Sealable terminal shields
1	3P 4P 0 262 44 0 262 45	Set of 2
		Padlock
1	0 262 40	For locking in "OPEN" position
		Cage terminals
1	0 262 50	Set of 4 terminals for cable 300 mm ² max. (rigid) or 240 mm ² max. (flexible)
1	0 262 51	Set of 4 high-capacity terminals for cable 2 x 240 mm ² (rigid) or 2 x 185 mm ² (flexible)
		Adaptor for lug
1	0 262 46	For connecting bare cables with wide lugs Set of 4 adaptors + insulated shields
		Extended front terminals
1	0 262 47	Set of 4
		Spreaders
1	3P 4P 0 262 48 0 262 49	Set of incoming or outgoing spreaders
		Rear terminals
		Used to convert the fixed version with front terminals to the fixed version with rear terminals
1	0 263 52 0 263 53	Set of incoming or outgoing flat terminals
		IP 20 terminal covers
1	4 222 34 4 222 35	Set of 2 terminal covers

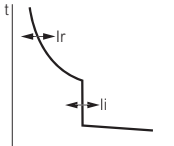
For more spare parts and accessories, see e-catalogue

DPX³ 1600 thermal magnetic release MCCBs
from 630 to 1250 A - fixing on plate



Dimensions **p. 48**
Electrical characteristics **p. 49**

Moulded case MCCBs for switching, control isolation and protection of low voltage electrical lines
Can be fitted with auxiliaries (p. 36)
Can be used with residual current relays (p. 37)
Supplied complete with:
- connection plates for bars
- insulated shields (phase barriers)
Conform to IEC 60947-2 - Sealable adjustment
Can be mounted on plate in XL³ and XL³ S cabinets and enclosures

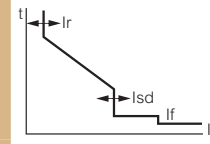
Pack	Cat.Nos		
			MCCBs thermal magnetic release fixed version
			Thermal adjustable from 0.8 to 1 In Magnetic adjustable from 5 to 10 In
			
			Breaking capacity Icu 36 kA (400 V~)
	3P	4P	In (A)
1	4 222 51	4 222 56	630
1	4 222 52	4 222 57	800
1	4 222 53	4 222 58	1000
1	4 222 54	4 222 59	1250
	3P + N/2		
1	4 222 60		1000
1	4 222 61		1250
	3P	4P	Breaking capacity Icu 50 kA (400 V~)
1	4 222 63	4 222 68	630
1	4 222 64	4 222 69	800
1	4 222 65	4 222 70	1000
1	4 222 66	4 222 71	1250
	3P + N/2		
1	4 222 72		1000
1	4 222 73		1250
	3P	4P	Breaking capacity Icu 70 kA (400 V~)
1	4 222 75	4 222 80	630
1	4 222 76	4 222 81	800
1	4 222 77	4 222 82	1000
1	4 222 78	4 222 83	1250
	3P + N/2		
1	4 222 84		1000
1	4 222 85		1250
	3P	4P	Breaking capacity Icu 100 kA (400 V~)
1	4 222 87	4 222 92	630
1	4 222 88	4 222 93	800
1	4 222 89	4 222 94	1000
1	4 222 90	4 222 95	1250
	3P + N/2		
1	4 222 96		1000
1	4 222 97		1250

DPX³ 1600
S1 electronic release MCCBs from 630 to 1600 A - fixing on plate



Dimensions **p. 48**
Electrical characteristics **p. 49**

Moulded case MCCBs for switching, control isolation and protection of low voltage electrical lines
Can be fitted with auxiliaries (p. 36)
Can be used with residual current relays (p. 37)
Do not accept DPX³ electronic interface for Modbus Cat.No 4 210 75 (p. 36)
Supplied complete with:
- connection plates for bars
- insulated shields (phase barriers)
Conform to IEC 60947-2 - Sealable adjustment
Can be mounted on plate in XL³ and XL³ S cabinets and enclosures

Pack	Cat.Nos		
			MCCBs electronic release S1 fixed version
			Adjustment of Ir, I _{sd} (p. 19) Instantaneous protection I _f = 20 kA Green indicator lamp Connector for test unit Dynamic selectivity 4P version: adjustment of neutral on front panel
			
			Breaking capacity Icu 36 kA (400 V~)
	3P	4P	In (A)
1	4 225 39	4 225 45	630
1	4 225 40	4 225 46	800
1	4 225 41	4 225 47	1000
1	4 225 42	4 225 48	1250
1	4 225 43	4 225 49	1600
	3P	4P	Breaking capacity Icu 50 kA (400 V~)
1	4 225 51	4 225 57	630
1	4 225 52	4 225 58	800
1	4 225 53	4 225 59	1000
1	4 225 54	4 225 60	1250
1	4 225 55	4 225 61	1600
	3P	4P	Breaking capacity Icu 70 kA (400 V~)
1	4 225 63	4 225 69	630
1	4 225 64	4 225 70	800
1	4 225 65	4 225 71	1000
1	4 225 66	4 225 72	1250
1	4 225 67	4 225 73	1600
	3P	4P	Breaking capacity Icu 100 kA (400 V~)
1	4 225 75	4 225 81	630
1	4 225 76	4 225 82	800
1	4 225 77	4 225 83	1000
1	4 225 78	4 225 84	1250

 DPX³-I 1600 trip-free switches
p. 38

 DPX³ 1600 magnetic release only
p. 39

DPX³ 1600

S2 electronic release MCCBs from 630 to 1600 A - fixing on plate



4 223 27



4 223 33

Dimensions **p. 48**
 Electrical characteristics **p. 49**

Moulded case MCCBs for switching, control isolation and protection of low voltage electrical lines
 Can be fitted with auxiliaries (p. 36)
 Can be used with residual current relays (p. 37)
 Supplied complete with:
 - connection plates for bars
 - insulated shields (phase barriers)
 Conform to IEC 60947-2 - Sealable adjustment
 Can be mounted on plate in XL³ and XL³ S cabinets and enclosures

Pack	Cat.Nos		MCCBs electronic release S2 fixed version
			Adjustment of I_r , I_{sd} , t_r , t_{sd} (p. 19) Instantaneous protection $I_f = 20$ kA Green indicator lamp Connector for test unit Logic and dynamic selectivity 4P version: adjustment of neutral on front panel
			Breaking capacity I_{cu} 36 kA (400 V\sim)
	3P	4P	I_n (A)
1	4 222 99	4 223 05	630
1	4 223 00	4 223 06	800
1	4 223 01	4 223 07	1000
1	4 223 02	4 223 08	1250
1	4 223 03	4 223 09	1600
			Breaking capacity I_{cu} 50 kA (400 V\sim)
1	4 223 11	4 223 17	630
1	4 223 12	4 223 18	800
1	4 223 13	4 223 19	1000
1	4 223 14	4 223 20	1250
1	4 223 15	4 223 21	1600
			Breaking capacity I_{cu} 70 kA (400 V\sim)
1	4 223 23	4 223 29	630
1	4 223 24	4 223 30	800
1	4 223 25	4 223 31	1000
1	4 223 26	4 223 32	1250
1	4 223 27	4 223 33	1600
			Breaking capacity I_{cu} 100 kA (400 V\sim)
1	4 223 35	4 223 41	630
1	4 223 36	4 223 42	800
1	4 223 37	4 223 43	1000
1	4 223 38	4 223 44	1250

Pack	Cat.Nos		MCCBs electronic release S2 with energy metering central unit fixed version
			Adjustment of I_r , I_{sd} , t_r , t_{sd} (p. 19) Instantaneous protection $I_f = 20$ kA Green indicator lamp Connector for test unit Logic and dynamic selectivity 4P version: adjustment of neutral on front panel
			Breaking capacity I_{cu} 36 kA (400 V\sim)
	3P	4P	I_n (A)
1	4 223 47	4 223 53	630
1	4 223 48	4 223 54	800
1	4 223 49	4 223 55	1000
1	4 223 50	4 223 56	1250
1	4 223 51	4 223 57	1600
			Breaking capacity I_{cu} 50 kA (400 V\sim)
1	4 223 59	4 223 65	630
1	4 223 60	4 223 66	800
1	4 223 61	4 223 67	1000
1	4 223 62	4 223 68	1250
1	4 223 63	4 223 69	1600
			Breaking capacity I_{cu} 70 kA (400 V\sim)
1	4 223 71	4 223 77	630
1	4 223 72	4 223 78	800
1	4 223 73	4 223 79	1000
1	4 223 74	4 223 80	1250
1	4 223 75	4 223 81	1600
			Breaking capacity I_{cu} 100 kA (400 V\sim)
1	4 223 83	4 223 89	630
1	4 223 84	4 223 90	800
1	4 223 85	4 223 91	1000
1	4 223 86	4 223 92	1250

DPX³ 1600

Sg electronic release MCCBs from 630 to 1600 A - fixing on plate



4 224 23



4 224 29

Dimensions **p. 48**
Electrical characteristics **p. 49**

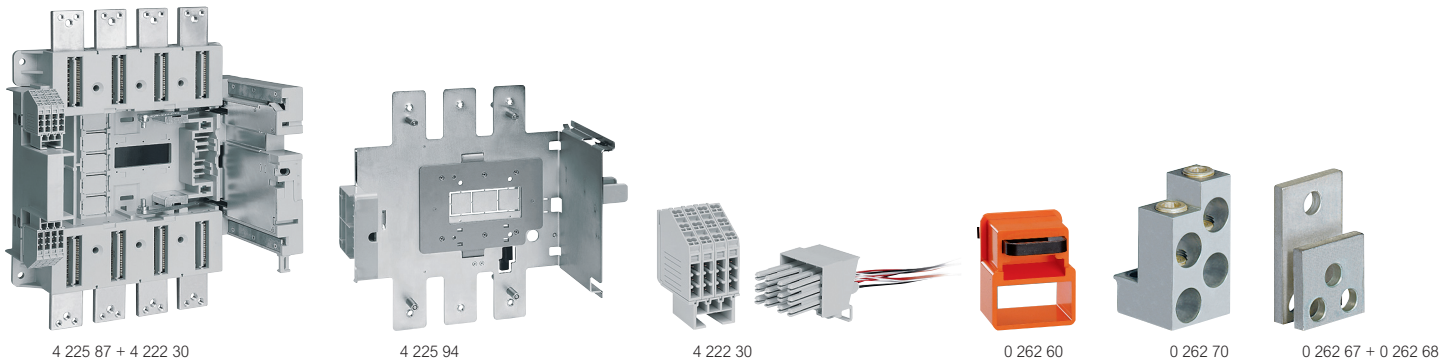
Moulded case MCCBs for switching, control isolation and protection of low voltage electrical lines
Can be fitted with auxiliaries (p. 36)
Can be used with residual current relays (p. 37)
Supplied complete with:
- connection plates for bars
- insulated shields (phase barriers)
Conform to IEC 60947-2 - Sealable adjustment
Can be mounted on plate in XL³ and XL³ S cabinets and enclosures

Pack	Cat.Nos		In (A)
	3P	4P	
	MCCBs electronic release Sg fixed version		
	Adjustment of I _r , I _{sd} , I _g , t _r , t _{sd} , t _g (p. 19) Instantaneous protection I _f = 20 kA Green indicator lamp Connector for test unit Logic and dynamic selectivity 4P version: adjustment of neutral on front panel		
	Breaking capacity I_{cu} 36 kA (400 V\sim)		
1	4 223 95	4 224 01	630
1	4 223 96	4 224 02	800
1	4 223 97	4 224 03	1000
1	4 223 98	4 224 04	1250
1	4 223 99	4 224 05	1600
	Breaking capacity I_{cu} 50 kA (400 V\sim)		
1	4 224 07	4 224 13	630
1	4 224 08	4 224 14	800
1	4 224 09	4 224 15	1000
1	4 224 10	4 224 16	1250
1	4 224 11	4 224 17	1600
	Breaking capacity I_{cu} 70 kA (400 V\sim)		
1	4 224 19	4 224 25	630
1	4 224 20	4 224 26	800
1	4 224 21	4 224 27	1000
1	4 224 22	4 224 28	1250
1	4 224 23	4 224 29	1600
	Breaking capacity I_{cu} 100 kA (400 V\sim)		
1	4 224 31	4 224 37	630
1	4 224 32	4 224 38	800
1	4 224 33	4 224 39	1000
1	4 224 34	4 224 40	1250

Pack	Cat.Nos		In (A)
	3P	4P	
	MCCBs electronic release Sg with energy metering central unit fixed version		
	Adjustment of I _r , I _{sd} , I _g , t _r , t _{sd} , t _g (p. 19) Instantaneous protection I _f = 20 kA Green indicator lamp Connector for test unit Logic and dynamic selectivity 4P version: adjustment of neutral on front panel		
	Breaking capacity I_{cu} 36 kA (400 V\sim)		
1	4 224 43	4 224 49	630
1	4 224 44	4 224 50	800
1	4 224 45	4 224 51	1000
1	4 224 46	4 224 52	1250
1	4 224 47	4 224 53	1600
	Breaking capacity I_{cu} 50 kA (400 V\sim)		
1	4 224 55	4 224 61	630
1	4 224 56	4 224 62	800
1	4 224 57	4 224 63	1000
1	4 224 58	4 224 64	1250
1	4 224 59	4 224 65	1600
	Breaking capacity I_{cu} 70 kA (400 V\sim)		
1	4 224 67	4 224 73	630
1	4 224 68	4 224 74	800
1	4 224 69	4 224 75	1000
1	4 224 70	4 224 76	1250
1	4 224 71	4 224 77	1600
	Breaking capacity I_{cu} 100 kA (400 V\sim)		
1	4 224 79	4 224 85	630
1	4 224 80	4 224 86	800
1	4 224 81	4 224 87	1000
1	4 224 82	4 224 88	1250

DPX³ 1600

equipment and accessories



Pack	Cat.Nos	Draw-out version	Pack	Cat.Nos	Motor-driven handles
		A DPX ³ draw-out version is a DPX ³ fitted with draw-out base and a "Debro-lift" mechanism which can be used to withdraw the DPX ³ while keeping it on its base	1	0 261 54	Factory assembled Front operated 230 V~
		Draw-out base For DPX ³ 1600 equipped with "Debro-lift" mechanism Cat.No 4 225 93 or 4 225 94	1	0 261 24	Customer assembled Front operated 24 V~ / = for In ≤ 1250 A
1	3P 4P 4 225 86 4 225 87	Front terminals	1	0 261 25	48 V~ / = for In ≤ 1250 A
1	4 225 88 4 225 89	Rear terminals	1	0 261 26	110 V~ / = for In ≤ 1250 A
		Debro-lift mechanism For DPX ³ 1600	1	0 261 23	230 V~ / = for In ≤ 1250 A
1	4 225 93 4 225 94	To be fitted on a DPX ³ 1600 fixed version in order to obtain the movable part of a draw-out circuit breaker	1	0 261 19	24 V~ / = for In = 1600 A
		Key-lock for "Debro-lift" mechanism Enable locking of DPX ³ in drawn-out position Flat key n°HBA90GPS6149 Star key n°ABA90GEL6149	1	0 261 28	48 V~ / = for In = 1600 A
1	Flat key Star key 0 265 76 0 263 48	One key for DPX ³ only	1	0 261 29	110 V~ / = for In = 1600 A
1	0 265 80 0 265 79	Two key (one key supplied) for motorised DPX ³ or with rotary handle	1	0 261 27	230 V~ / = for In = 1600 A
		Accessories for "Debro-lift" mechanism Handle for drawing-out	1	0 261 59	Locking accessories Key and flat key N° ABA90GEL6149
1	0 265 75	Signalling contact (plugged-in/drawn-out)	1	0 261 58	Key and star key N° HBA90GPS6149
1	0 265 74				Accessories
		Auxiliary contacts Automatic auxiliary contacts for DPX ³ draw-out version (up to 2 contacts by DPX ³)	1	0 262 66	Insulated shields (phase barriers) Used to isolate the connections between each pole Set of 3
		Plates for transfer switches A transfer switch plate is composed of one plate with interlock for 2 devices	1	3P 4P 0 262 64 0 262 65	Sealable terminal shields Set of 2
1	0 264 10	Plate for MCCBs or trip-free switch fixed version	1	0 262 60	Padlock For locking in "open" position
1	0 264 05	Plate for MCCBs or trip-free switch plug-in and draw-out version	1	0 262 69	Cage terminals Set of 1 terminal for cables without lug 2 x 240 mm ² for rigid cable or 2 x 185 mm ² for flexible cable
		Rotary handles	1	0 262 70	Set of 1 high-capacity terminal for cables without lug 4 x 240 mm ² for rigid cable 4 x 185 mm ² for flexible cable
		Direct on DPX³ Standard (black)	1	0 262 67	Extended front terminals Set of 4 Short terminals for 630 - 1250 A (2 bars max. per pole)
1	0 262 61		1	0 262 68	Long terminals for 1600 A (3 bars max. per pole)
		Vari-depth handle IP 55 Comprising: connection rod, bracket, self-adhesive drilling template, mounting accessories and door lock mechanism	1	3P 4P 0 262 73 0 262 74	Spreaders Set of incoming or outgoing spreaders
1	0 262 83	Standard (black)			Rear terminals Used to convert the fixed version with front terminals to the fixed version with rear terminals
1	0 262 84	For emergency use (red/yellow)			Set of incoming or outgoing rear terminals
		Locking accessories Key barrel and flat key N° ABA90GEL6149	1	0 263 80 0 263 82	Short terminals
1	0 262 93	Key barrel and star key N° HBA90GPS6149	1	0 263 81 0 263 83	Long terminals
1	0 262 94		1	4 225 90 4 225 91	IP 20 terminal covers Set of 2 terminal covers
			1	4 225 92	External neutral External neutral

For the old range of accessories for DPX 1600 draw-out version
Please, consult us

DPX³ 630 and 1600

common auxiliaries



4 222 42



4 222 48

Pack	Cat.Nos	Auxiliary contact or fault signal
1	4 210 11	For signalling the state of the contacts or opening of the MCCB on a fault For DPX ³ /DPX ³ -I Changeover switch 3 A - 240 V~
Shunt releases		
Allow remote tripping of a DPX ³ or DPX ³ -I 630 and DPX ³ 1600 Shunt inrush power 300 VA		
1	4 222 39	Coil voltage 24 V~ / =
1	4 222 40	Coil voltage 48 V~ / =
1	4 222 41	Coil voltage 110 V~ / =
1	4 222 42	Coil voltage 230 V~ / =
1	4 222 43	Coil voltage 400 V~ / =
Undervoltage releases		
Allow remote tripping of a DPX ³ or DPX ³ -I 630 and 1600 Consumption: 5 VA		
1	4 222 44	24 V=
1	4 222 45	24 V~
1	4 222 46	48 V=
1	4 222 47	110-125 V~
1	4 222 48	220-240 V~
1	4 222 49	380-415 V~
Time-lag (800 ms) undervoltage release		
Allow remote tripping of a DPX ³ /DPX ³ -I 630 or 1600 Prevents false tripping in the event of power supply microbreaks		
Time-lag modules		
1	0 261 90	230 V~
1	0 261 91	400 V~
Release		
To be equipped with a time-lag module Cat.Nos 0 261 90/91		
1	4 226 23	For DPX ³ /DPX ³ -I 630 and 1600

DPX³ 160 / 250 / 250 HP / 630 / 1600

power supervision system



0 261 56

Pack	Cat.Nos	Auxiliary power supply for DPX ³
1	4 210 83	For supplying DPX ³ electronic units when the circuit breaker is open or when the current passing through it is insufficient Input voltage 24 V~ / = 2 modules Output 250 mA: can supply several circuit breakers Consumption: - Electronic DPX ³ (S2/Sg): 50 mA - Electronic DPX ³ with measurement (S2/Sg): 62.5 mA - Electronic DPX ³ with residual current protection (S2): 50 mA - Electronic DPX ³ with residual current protection and measurement (S2): 62.5 mA
RS485 Modbus communication interface		
DPX³ electronic interface		
For connecting electronic DPX ³ (except DPX ³ 630 S1 electronic release and DPX ³ 1600 S1 electronic release) to an RS485 Modbus communication network. All the information managed by the circuit breaker's electronic card will be shared on the Modbus network Dimension: 1 module Power supply: 24 V~ / = RS 485 link (2-wire) Address, speed and coding can be modified with configurator kit		
Modular power supply		
1	0 035 67	230 V~ - 27 V= - 0.6 A 2 modules
Door mounting touch screen		
1	0 261 56	Optional touch screen allowing to: - visualize information coming from DX ³ , DPX ³ and DMX ³ protection devices and EMDX ³ multi-function measuring units and - control protection devices equipped with the universal control module Cat.No 4 149 32 Can manage up to 9 devices Power supply: 18-30 V= IP connection For mounting on door or solid faceplate Door cut: 92 x 92 mm

Residual current relay and coils



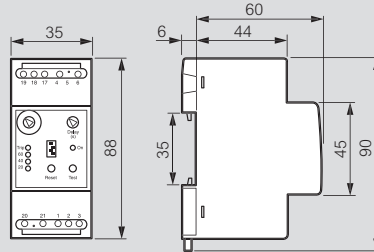
Add residual current protection to DPX³ trip-free switches and DPX³ MCCBs equipped with release

Pack	Cat.Nos	Residual current relay
1	0 260 88	<p>Detects fault currents, and, when used with a shunt trip or an undervoltage release, it gives the trip command to a MCCB or a switch</p> <ul style="list-style-type: none"> Comprises: <ul style="list-style-type: none"> - a tinged, sealable window - an auxiliary contact - a green Led indicating energisation - 3 yellow Leds indicating respectively the max. phase earth insulation current: 20, 40 and 60 % - a red Led indicating Fixed: exceeding of the insulation fault current value Flashing: breaking of one of the connections between coils and relays For use with coils: <ul style="list-style-type: none"> - Ø35 and 80 mm Adjustable sensitivity: 0.03, 0.05, 0.075, 0.1, 0.15, 0.2, 0.3, 0.5, 0.75, 1, 1.5, 2, 3, 5, 7.5, 10, 15, 20, 30 A - Ø110 to 210 mm Adjustable sensitivity: 0.3, 0.5, 0.75, 1, 1.5, 2, 3, 5, 7.5, 10, 15, 20, 30 A - Ø150 mm Adjustable sensitivity: 0.5, 0.75, 1, 1.5, 2, 3, 5, 7.5, 10, 15, 20, 30 A - Ø300 mm Adjustable sensitivity: 1, 1.5, 2, 3, 5, 7.5, 10, 15, 20, 30 A Adjustable trip: 0, 0.15, 0.25, 0.5, 1, 2.5, 5 seconds Supply voltage: 230/240 V - 50/60 Hz
		Number of modules: 2
1	0 260 88	Residual current relay to clip on rail
Coils		
For use with residual current relay Cat.No 0 260 88		
1	0 260 92	Ø (mm) In (A) I _{max} (A)
1	0 260 93	35 70 420
1	0 260 94	80 170 1020
1	0 260 95	140 250 1500
1	0 260 96	210 400 2400
1	0 260 97	150 250 1500
1	0 260 98	310 630 3780

Residual current relay and coils

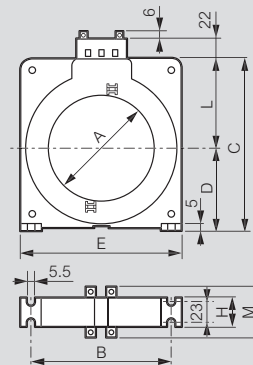
Residual current relay

Cat.No 0 260 88



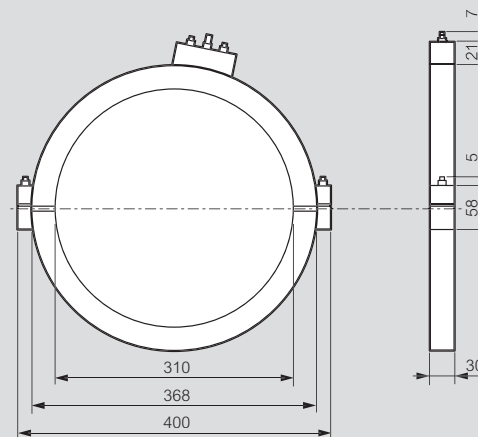
Coils

Cat.Nos 0 260 92/93/94/95/96 Cat.No 0 260 97



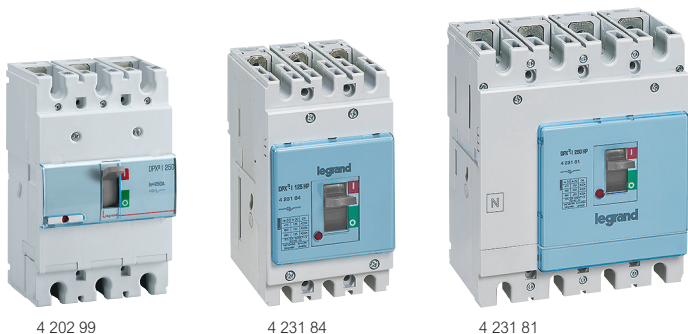
Cat.Nos	A	B	C	D	E	H	L	M
0 260 92	35	75	85	42	92	36	43	56
0 260 93	80	108	132	67	125	36	65	56
0 260 94	110	148	170	86	165	36	84	56
0 260 95	140	177	206	104	200	36	102	56
0 260 96	210	270	295	150	290	44	145	64
0 260 97	150	225	259	133	245	275	95	113

Cat.No 0 260 98



DPX³-I trip-free switches

125 to 1600 A



4 202 99

4 231 84

4 231 81

Dimensions p. 42 - 44 and 46 - 49

Trip-free switches for on-load circuit breaking and isolation of low voltage electrical circuits
 Can be associated to earth leakage modules or to corresponding DPX³ residual current relays
 Conform to IEC 60947-3
 Category of use AC 23 A
 Connection identical to corresponding DPX³

Pack	Cat.Nos		DPX ³ -I 125 HP
1	3P 4 231 84	4P 4 231 85	In (A) 125
1		4 231 87	125 with earth leakage module
1	3P 4 231 80	4P 4 231 81	In (A) 250
1		4 231 83	250 with earth leakage module
1	3P 4 222 16	4P 4 222 18	In (A) 400
1		4 222 19	630
1	3P 4 224 90	4P 4 224 94	In (A) 630
1		4 224 95	800
1		4 224 92	1250
1		4 224 93	1600

DPX³-I trip-free switches

technical characteristics

Technical characteristics

Trip-free switches	DPX ³ -I 125 HP	DPX ³ -I 250 HP	DPX ³ -I 630	
	Rated current In (A)	125	250	400
Short time withstand current I _{cw} (kA) (1 s)	1.5	3	5	8
Rated short-circuit making capacity I _{cm} (kA)	2.5	4.3	8	14
Rated insulation voltage U _i (V~)	800	800	800	
Maximum rated operating voltage U _e (V~/-)	690	690 ⁽¹⁾ 415 ⁽²⁾	690	
Rated impulse withstand voltage U _{imp} (kV)	8	8	8	
Category of use	AC23A	AC23A ⁽³⁾ AC22A ⁽⁴⁾	AC22A	AC23A
Rated frequency (Hz)	50-60	50-60	50-60	
Operating temperature (°C)	-25 / +70	-25 / +70	-25 / +70	
Mechanical endurance (cycles)	20000	12000	20000	
Mechanical endurance with motor control	-	12000	10000	
Electrical endurance at In (cycles)	8000	6000	4000	
Electrical endurance at 0.5 In (cycles)	-	6000	8000	

1: In = 160 A - 200 A - 250 A
 2: In = 225 A
 3: In ≤ 225 A
 4: In = 250 A

Trip-free switches	DPX ³ -I 1600			
Rated current In (A)	630	800	1250	1600
Short time withstand current I _{cw} (kA) (1 s)	17	17	24 ⁽⁵⁾ /40	40
Rated short-circuit making capacity I _{cm} (kA)	10	10	12 ⁽⁵⁾ /20	20
Rated insulation voltage U _i (V~)	1000			
Maximum rated operating voltage U _e (V~/-)	690			
Rated impulse withstand voltage U _{imp} (kV)	8			
Category of use	AC23A			
Rated frequency (Hz)	50-60			
Operating temperature (°C)	-25 / +70			
Mechanical endurance (cycles)	10000			
Mechanical endurance with motor control	5000			
Electrical endurance at In (cycles)	4000			
Electrical endurance at 0.5 In (cycles)	8000			

5: In ≤ 1000 A

DPX³ magnetic release only

MCCBs from 6.3 to 1000 A for motor protection



4 239 33



4 239 45

Dimensions **p. 43 - 44 and 46 - 49**
Electrical characteristics **see e-catalogue**

Moulded case MCCBs for switching, control isolation and protection of three-phase motors
Can be fitted with auxiliaries (p. 25 and 36)
Supplied with: screws for connections, fixing screws and insulated shields (phase barriers)
Conform to IEC 60947-2

Pack	Cat.Nos		DPX ³ 250 HP
			Magnetic adjustable from 6 to 14 In Can be mounted on plate in XL ³ and XL ³ S cabinets and enclosures
			Breaking capacity Icu 36 kA (400 V_~)
			In (A)
	3P	4P	
1	4 239 01	4 239 13	6.3
1	4 239 02	4 239 14	12.5
1	4 239 03	4 239 15	25
1	4 239 04	4 239 16	32
1	4 239 05	4 239 17	50
1	4 239 06	4 239 18	80
1	4 239 07	4 239 19	100
1	4 239 08	4 239 20	160
1	4 239 09	4 239 21	220
			Breaking capacity Icu 50 kA (400 V_~)
1	4 239 25	4 239 37	6.3
1	4 239 26	4 239 38	12.5
1	4 239 27	4 239 39	25
1	4 239 28	4 239 40	32
1	4 239 29	4 239 41	50
1	4 239 30	4 239 42	80
1	4 239 31	4 239 43	100
1	4 239 32	4 239 44	160
1	4 239 33	4 239 45	220
			Breaking capacity Icu 70 kA (400 V_~)
1	4 239 49	4 239 61	6.3
1	4 239 50	4 239 62	12.5
1	4 239 51	4 239 63	25
1	4 239 52	4 239 64	32
1	4 239 53	4 239 65	50
1	4 239 54	4 239 66	80
1	4 239 55	4 239 67	100
1	4 239 56	4 239 68	160
1	4 239 57	4 239 69	220
			Breaking capacity Icu 100 kA (400 V_~)
1	4 239 73	4 239 85	6.3
1	4 239 74	4 239 86	12.5
1	4 239 75	4 239 87	25
1	4 239 76	4 239 88	32
1	4 239 77	4 239 89	50
1	4 239 78	4 239 90	80
1	4 239 79	4 239 91	100
1	4 239 80	4 239 92	160
1	4 239 81	4 239 93	220

Pack	Cat.Nos		DPX ³ 630
			Magnetic adjustable up to 10 In Can be mounted on plate in XL ³ and XL ³ S cabinets and enclosures
			Breaking capacity Icu 36 kA (400 V_~)
			In (A)
	3P	4P	
1	4 226 08		320 with electronic release
1	4 225 98	4 226 16	400
1	4 226 09		400 with electronic release
1	4 225 99		500
1	4 226 00	4 226 17	630
			Breaking capacity Icu 70 kA (400 V_~)
1	4 226 10		320 with electronic release
1	4 226 01	4 226 18	400
1	4 226 11		400 with electronic release
1	4 226 02		500
1	4 226 03	4 226 19	630
			DPX³ 1600
			Magnetic adjustable up to 10 In Can be mounted on plate in XL ³ and XL ³ S cabinets and enclosures
			Breaking capacity Icu 50 kA (400 V_~)
			In (A)
	3P	4P	
1	4 226 04	4 226 12	800
1	4 226 05	4 226 13	1000
			Breaking capacity Icu 70 kA (400 V_~)
1	4 226 06	4 226 14	800
1	4 226 07	4 226 15	1000

Automatic transfer switch control units



Technical characteristics and configuration software
see e-catalogue

They can control transfer switching between sources, manage generator start/stop, control single phase, two-phase and three-phase networks, control phase-phase and phase-neutral voltages
For DPX³ and DMX³ circuit breakers and CTX³ contactors

Pack	Cat.Nos	Automatic transfer switch control units	Pack	Cat.Nos	Dual power supply selector
1	4 226 81 ¹	<p>For standard management of 2 circuit breakers 6 programmable digital inputs and 7 programmable relay outputs LCD display IR communication port on the front panel for connection of USB or WiFi modules Cat.Nos 4 226 87/88 Can be configured with the help of front panel touch keys or of the Legrand dedicated software Power supply: 110-240 V~ IP40</p>	1	4 226 86	<p>Dual power supply selector measures and controls two supply voltages at its inputs (single phase, 230 V~) and selects the most adapted voltage for auxiliary circuits supply Equipped with 1 alarm contact, if no supply voltage can be selected within the limits</p>
1	4 226 82 ¹	<p>For advanced management of 2 circuit breakers 6 programmable digital inputs and 7 programmable relay outputs Can be equipped with maximum 2 plug-in modules between: - extension modules Cat.Nos 4 226 90/91/92 - opto-isolated RS485 communication interface Cat.No 4 226 89 LCD display IR communication port on the front panel for connection of USB or WiFi modules Cat.Nos 4 226 87/88 Can be configured with the help of front panel touch keys or of the Legrand dedicated software Power supply: 12-24 V= ; 110-240 V~ IP40</p>	1	4 226 89	<p>Plug-in modules Opto-isolated RS485 interface</p>
1	4 226 83 ¹	<p>For advanced management of 3 circuit breakers and 2 power sources 8 programmable digital inputs and 7 programmable relay outputs Can be equipped with maximum 3 plug-in extension modules between Cat.Nos 4 226 90/91/92 Integrated opto-isolated RS485 communication interface LCD display IR communication port on the front panel for connection of USB or WiFi modules Cat.Nos 4 226 87/88 Can be configured with the help of front panel touch keys or of the Legrand dedicated software Power supply: 12-24-48 V= ; 110-240 V~ IP65</p>	1	4 226 90	<p>4 opto-isolated static outputs</p>
1	4 226 84 ¹	<p>For advanced management of 5 circuit breakers and 3 power sources 12 programmable digital inputs and 11 programmable relay outputs Can be equipped with maximum 3 plug-in extension modules between Cat.Nos 4 226 90/91/92 Integrated opto-isolated RS485 communication interface LCD display IR communication port on the front panel for connection of USB or WiFi modules Cat.Nos 4 226 87/88 Can be configured with the help of front panel touch keys or of the Legrand dedicated software Power supply: 12-24-48 V= ; 110-240 V~ IP65 Must be factory configured to fit installation needs Please ask for ATS order form.</p>	1	4 226 91	<p>2 relay outputs, rated 5 A 250 V~</p>
			1	4 226 92	<p>2 opto-isolated digital inputs and 2 relay outputs rated 5 A 250 V~</p>
			1	4 226 87 ¹	<p>Communication accessories These communication devices can be used to connect Alptec 8 and Alptec 3.2/5.2/8.2 power factor controllers (p. 123) and automatic transfer switch controllers to a computer; smartphone or tablet For programming, downloading data, diagnostics and upgrading the firmware</p> <p>USB front connector Computer connection cable with USB connector The computer identifies the connection as a standard USB connection. There is no need to switch off the controller power supply</p>
			1	4 226 88 ¹	<p>Wi-Fi front connector Wi-Fi connection device compatible with computers, smartphones and tablets There is no need to switch off the controller power supply</p>

¹: Configuration software available for download via e-catalogue
ACU Configurator app for smartphone and tablet available on Apple Store and Google Play

Automation control units for transfer switches

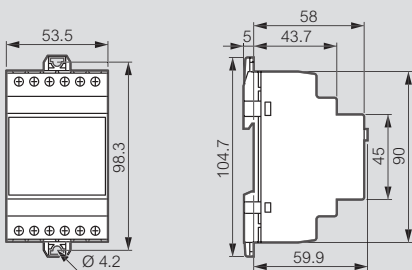
technical characteristics and dimensions

Technical characteristics

		Cat.Nos			
		4 226 81	4 226 82	4 226 83	4 226 84
Voltage Inputs	Ue max rated voltage	100-480 V~	100-480 V~	100-600 V~ L-L (346 V~ L-N)	100-600 V~ L-L (346 V~ L-N)
	Measuring range	50-576 V~ (L-L)	50-576 V~ (L-L)	50-720 V~ (L-L)	50-720 V~ (L-L)
	Frequency range	45...65 Hz 360...440 Hz	45...65 Hz 360...440 Hz	45...65 Hz 360...440 Hz	45...65 Hz 360...440 Hz
	Measurement type	True RMS value	True RMS value	True RMS value	True RMS value
	Connection modes	Single phase, two-phase or three-phase system with or without neutral	Single phase, two-phase or three-phase system with or without neutral	Single phase, two-phase or three-phase system with or without neutral	Single phase, two-phase or three-phase system with or without neutral
	Measuring error	± 0.25% f.s. ± 1 digit	± 0.25% f.s. ± 1 digit	± 0.25% f.s. ± 1 digit	± 0.25% f.s. ± 1 digit
Ambient conditions	Operating temperature	-30... +70 °C	-30... +70 °C	-30... +70 °C	-30... +70 °C
	Storage temperature	-30...+80 °C	-30...+80 °C	-30...+80 °C	-30...+80 °C
	Relativity humidity	80 % (IEC/EN 60068-2-78)	80 % (IEC/EN 60068-2-78)	80 % (IEC/EN 60068-2-78)	80 % (IEC/EN 60068-2-78)
	Maximum pollution degree	2	2	2	2
	Overvoltage category	3	3	3	3
	Measurement category	III	III	III	III
	Rated impulse withstand voltage	Uimp 7.3 kV	Uimp 7.3 kV	Uimp 7.3 kV	Uimp 7.3 kV
	Protection index	IP 40	IP 40	IP 65	IP 65
Functionalities	Inputs	6 programmables	6 programmables	8 programmables	12 programmables
	Outputs	7 relay programmables	7 relay programmables	7 relay programmables	11 relay programmables
	Expandibility	No	Yes (2 modules)	Yes (3 modules)	Yes (3 modules)
	ModBus	No	Yes, with expansion module RS485	Yes, embedded RS485	Yes, embedded RS485
	Storage	No	Yes, 100 most recent events	Yes, 250 most recent events	Yes, 250 most recent events
	Programming	USB or WiFi (Direct on front panel or with comm module and Legrand software or App)			

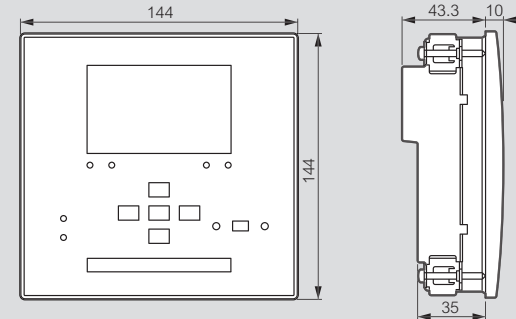
Dimensions

Cat.No 4 226 86

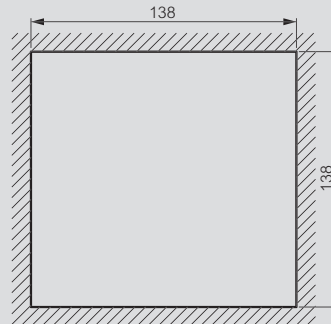


Dimensions (continued)

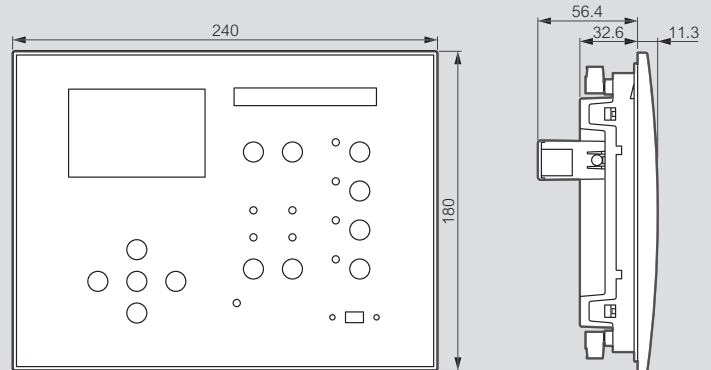
Cat.Nos 4 226 81/82



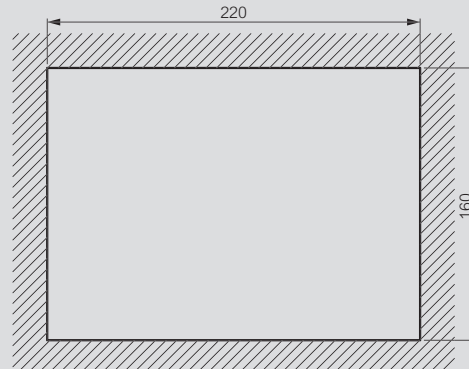
Door cut



Cat.Nos 4 226 83/84

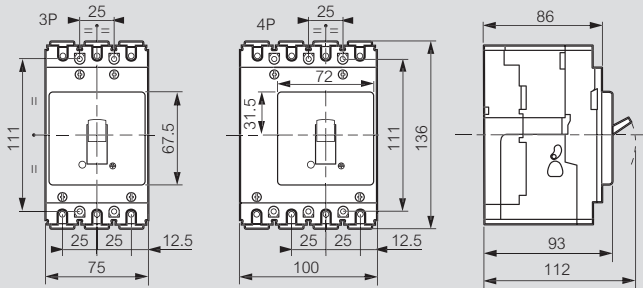


Door cut

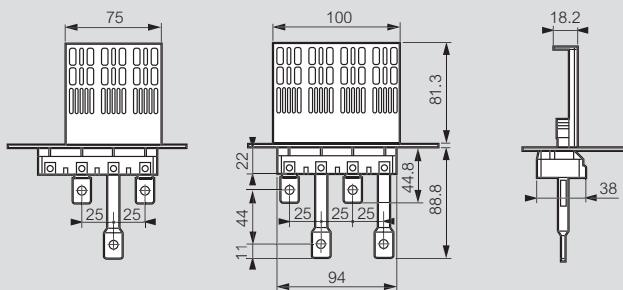


■ Dimensions

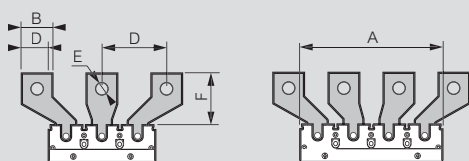
Fixed version, front terminals



Fixed version with rear terminals Cat.Nos 4 238 91/92

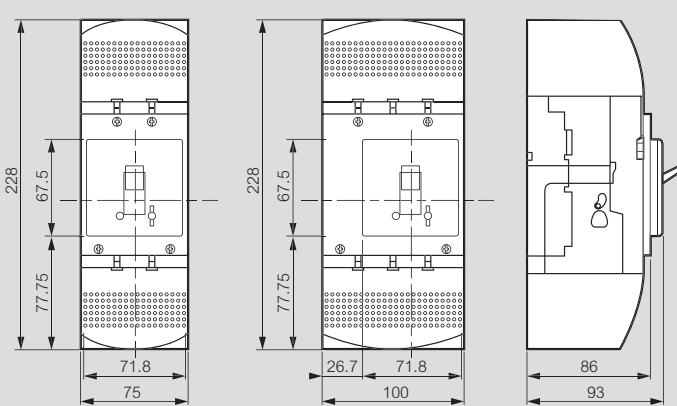


Spreaders Cat.Nos 4 238 88/89



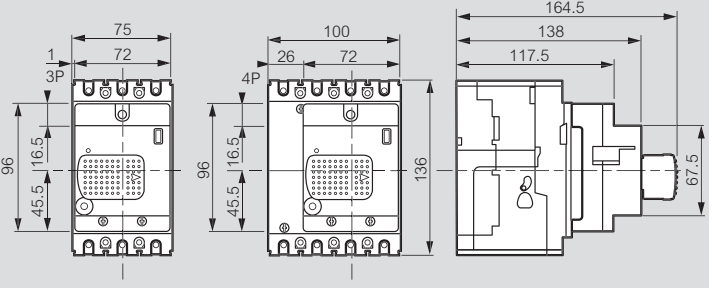
	A	B	C	D	E	F
3P	75	22	10	35.7	10.2	32
4P	100	22	10	35.7	10.2	32

Sealable terminal shields Cat.Nos 4 238 93/94



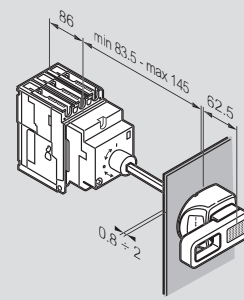
More dimensions for DPX³ 125 HP
see technical sheets

Rotary handle direct on DPX³ Cat.Nos 4 238 70/71

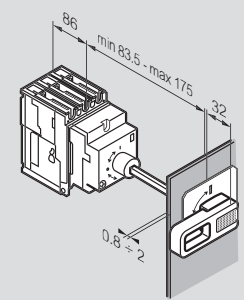


Vari-depth handle Cat.Nos 4 238 72/73

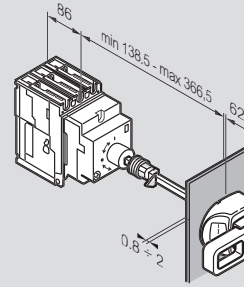
IP 55



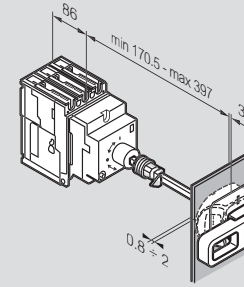
IP 40



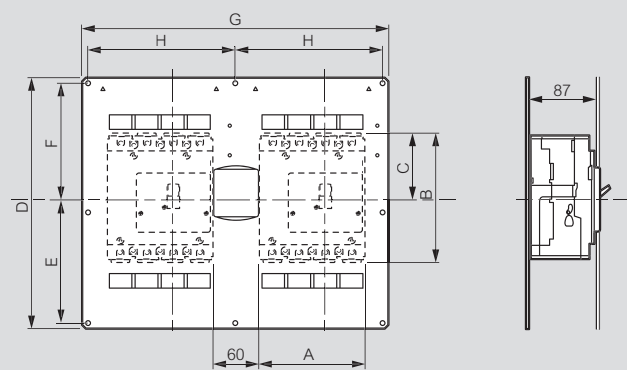
IP 55



IP 40



Mechanical interlock Cat.Nos 4 238 25/26/27



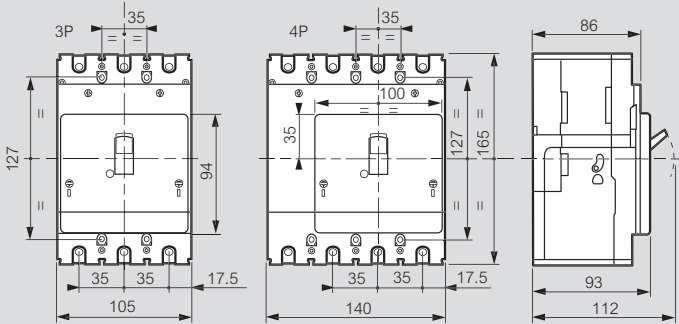
	A	B	C	D	E	F	G	H
3P	75	136	68	290	140	135	315	150
4P	100	136	68	290	140	135	315	150

DPX³ 250 HP

technical characteristics

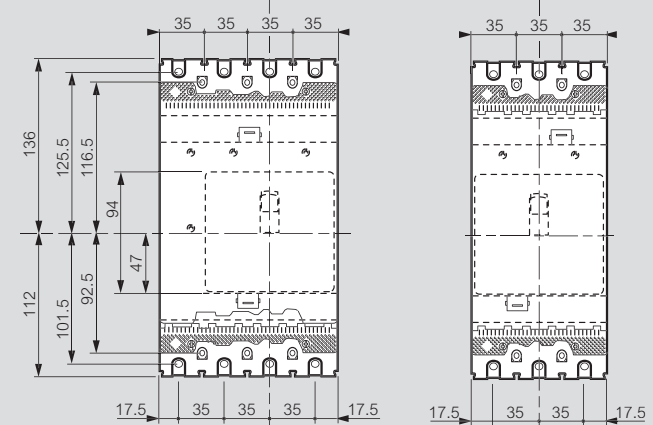
■ Dimensions

Fixed version, front terminals

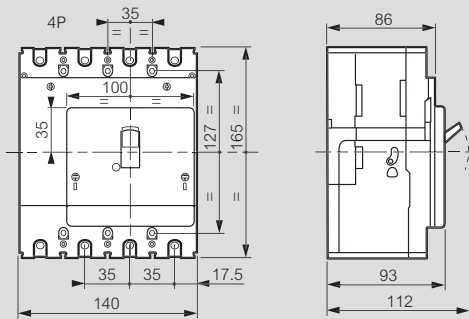


Plug-in version front terminals

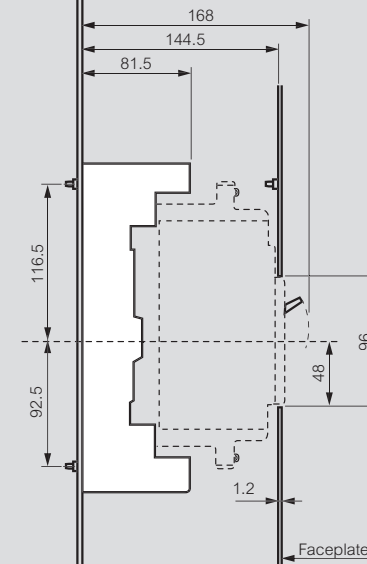
Front view



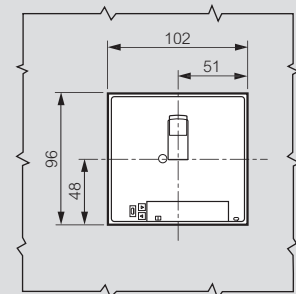
Fixed version with electronic earth leakage module



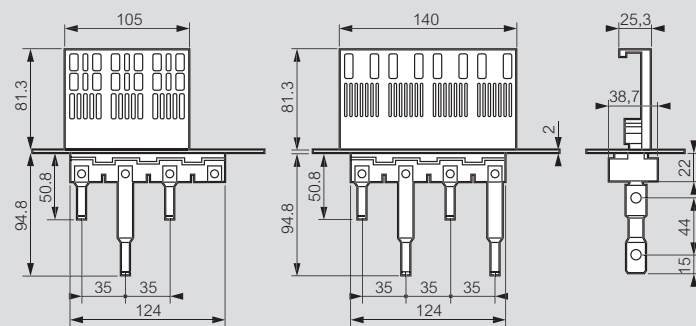
Side view with faceplate



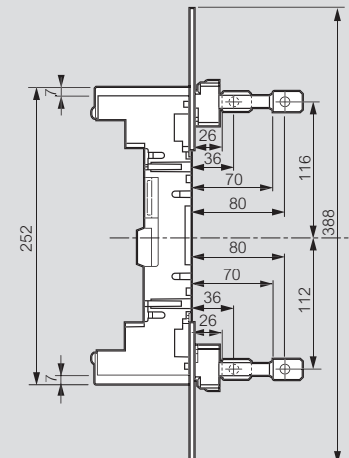
Front view with faceplate



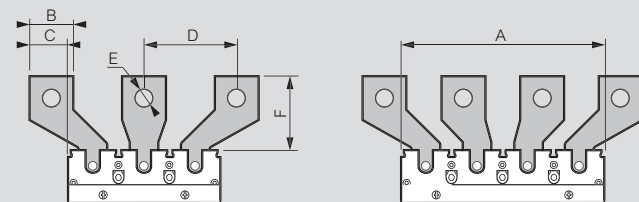
Fixed version with rear terminals Cat.Nos 4 238 91/92



Plug-in base with rear terminals Cat.Nos 4 238 21/22



Spreaders Cat.Nos 4 238 23/24



	A	B	C	D	E	F
3P	105	30	27	63.5	13	50
4P	140	30	27	63.5	13	50

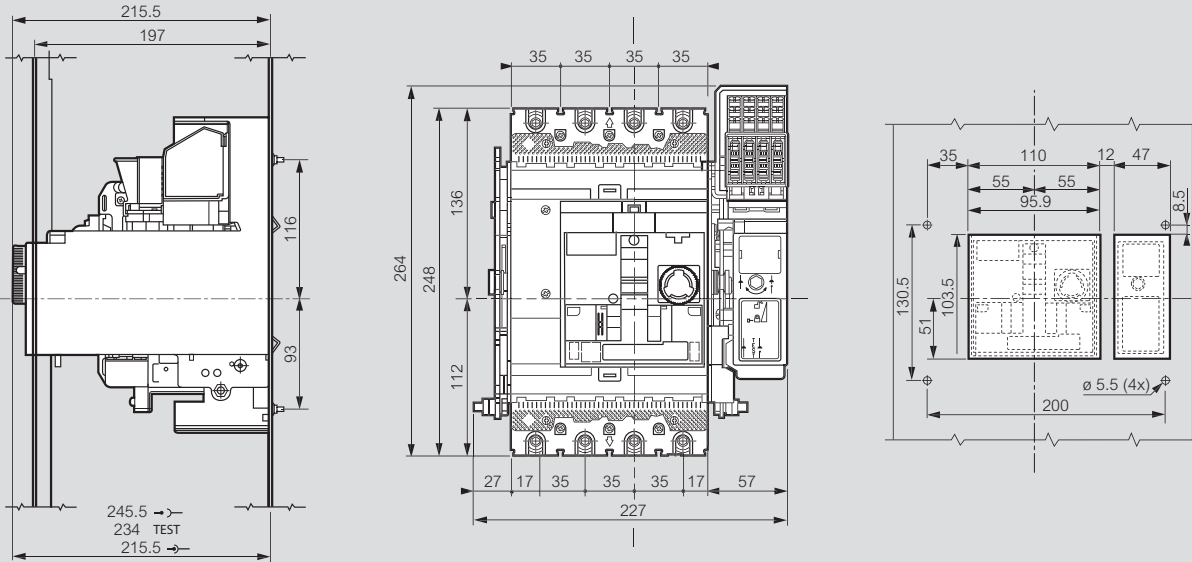
More dimensions for DPX³ 250 HP
see technical sheets

DPX³ 250 HP

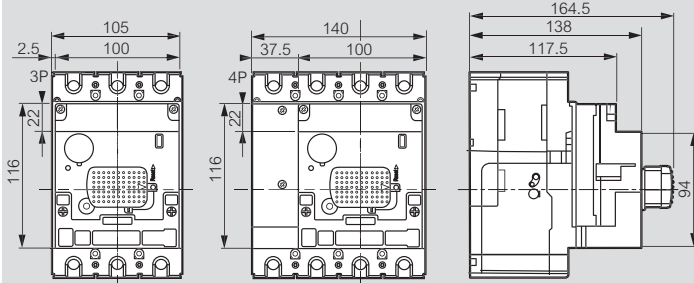
technical characteristics (continued)

■ Dimensions

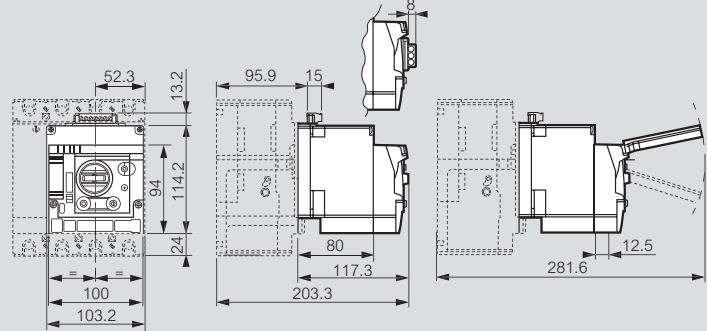
Draw-out version



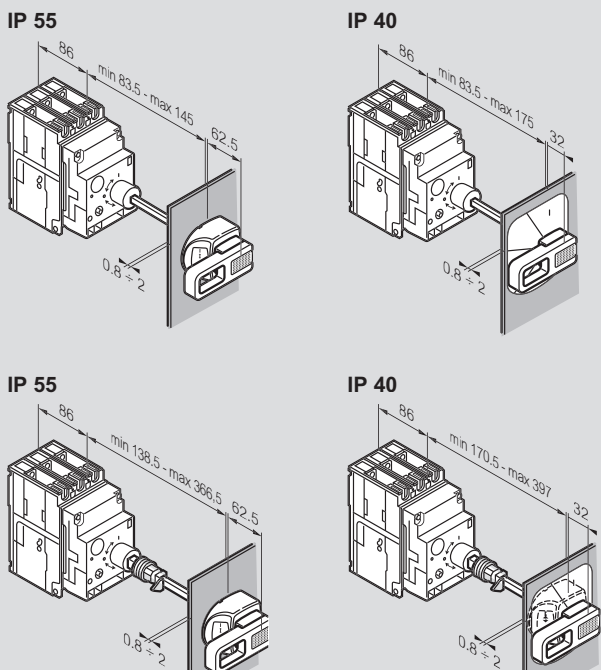
Rotary handle direct on DPX³ Cat.Nos 4 238 70/71



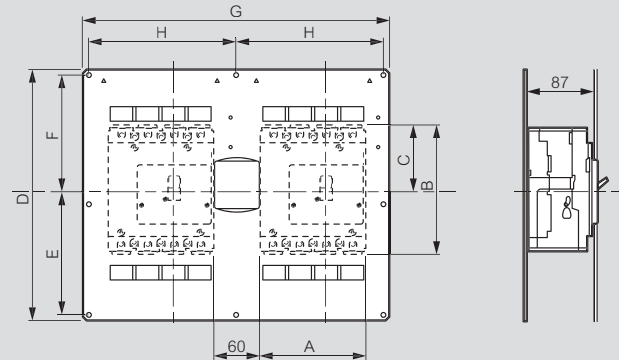
Motor driven handle Cat.Nos 4 238 40/41/42/43



Vari-depth handle Cat.Nos 4 238 72/73



Mechanical interlock Cat.Nos 4 238 26/27/28



	A	B	C	D	E	F	G	H
3P	105	165	82.5	340	165	160	415	200
4P	140	165	82.5	340	165	160	415	200

More dimensions for DPX³ 250 HP
see technical sheets

DPX³ 125 and 250 HP

technical characteristics (continued)

Technical characteristics (at 40 °C and 50 °C)

MCCBs		DPX ³ 125 HP thermal magnetic				DPX ³ 125 HP thermal magnetic with electronic earth leakage module		
		36 kA	50 kA	70 kA	100 kA	36 kA	50 kA	
Nominal rating In (A)		16-20-25-32-40-50-63-80-100-125				16-20-25-32-40-50-63-80-100-125		
Rated insulation voltage Ui (V)	50-60Hz	800				500		
Rated operational voltage Ue (V)	50-60Hz	690				500		
Rated impulse withstand current Uimp (kV)		8				6		
Category of use		A				A		
IEC 60947-2	Ultimate breaking capacity (kA) in AC	220/240 V~	70	90	100	150	70	90
		380/415 V~	36	50	70	100	36	50
		440/460 V~	20	25	35	40	20	25
		480/500 V~	12	16	20	25	12	16
		550 V~	8	10	16	18	-	-
		690 V~	5	6	10	12	-	-
	Standard breaking capacity Ics (% Icu)		100	100	100	100	100	100
	Short-circuit making capacity Icm (kA)	415 V~	76.5	105	154	220	76.5	105

MCCBs		DPX ³ 250 thermal magnetic				DPX ³ 250 thermal magnetic with electronic earth leakage module		
		36 kA	50kA	70 kA	100 kA	36 kA	50 kA	
Rated current In (A)		16-20-25-32-40-50-63-80-100-125-160-200-250				16-20-25-32-40-50-63-80-100-125-160-200-250		
Rated insulation voltage Ui (V)	50-60Hz	800				500		
Rated operational voltage Ue (V)	50-60Hz	690				500		
Rated impulse withstand current Uimp (kV)		8				6		
Category of use		A				A		
IEC 60947-2	Ultimate breaking capacity (kA) in AC	220/240 V~	70	90	100	150	70	90
		380/415 V~	36	50	70	100	36	50
		440/460 V~	25	30	40	50	25	30
		480/500 V~	16	18	30	35	16	18
		550 V~	10	12	22	25	-	-
		690 V~	7	8	20	22	-	-
	Standard breaking capacity Ics (% Icu)		100	100	100	100	100	100
	Short-circuit making capacity Icm (kA)	415 V~	76.5	105	154	220	76.5	105

MCCBs		DPX ³ 250 S1 electronic release				DPX ³ 250 S1 electronic release with electronic earth leakage module		
		36 kA	50kA	70 kA	100 kA	36 kA	50kA	
Rated current In (A)		40-100-160-250				40-100-160-250		
Rated insulation voltage Ui (V)	50-60Hz	800				500		
Rated operational voltage Ue (V)	50-60Hz	690				500		
Rated impulse withstand current Uimp (kV)		8				6		
Category of use		A				A		
IEC 60947-2	Ultimate breaking capacity (kA) in AC	220/240 V~	70	90	100	150	70	90
		380/415 V~	36	50	70	100	36	50
		440/460 V~	25	30	40	50	25	30
		480/500 V~	16	18	30	35	16	18
		550 V~	10	12	22	25	-	-
		690 V~	7	8	20	22	-	-
	Standard breaking capacity Ics (% Icu)		100	100	100	100	100	100
	Short-circuit making capacity Icm (kA)	415 V~	76.5	105	154	220	76.5	105

Adjustment for thermal-magnetic DPX³ HP

Setting	DPX ³ thermal magnetic	DPX ³ with integrated e.l.c.bs
Ir overload trip threshold (thermal)	0.8 - 0.9 - 1 x In	
Im short-circuit trip threshold (magnetic)	DPX ³ 125 HP	fixed at 400 A for In from 16 A to 40 A fixed at 10 x In for In ≥ 50 A
	DPX ³ 250 HP	fixed at 400 A for In ≤ 40 A Adjustable: from 6.5 to 13 x In for In = 50 A from 5 to 10 x In for In ≥ 50 A
I _{Δn} (A)	-	0.03 - 0.3 - 1 - 3
Δt (s)	-	0 - 0.3 - 1 - 3

Adjustment for DPX³ HP electronic release

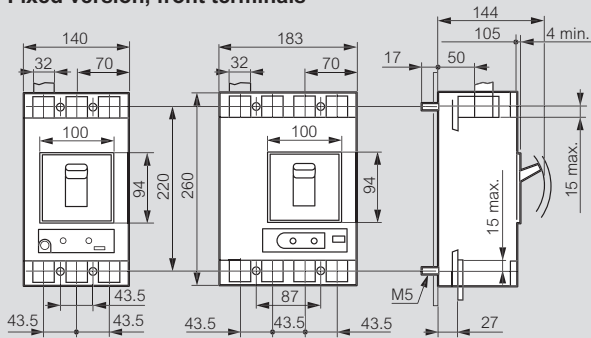
Setting	DPX ³	DPX ³ with integrated e.l.c.bs
Ir overload trip threshold (long delay)	0.4 to 1 x In	
tr long delay trip time	5 s	
I _{Δn} (A)	-	0.03 - 0.03 - 1 - 3
Δt (s)	-	0 - 0.3 - 1 - 3
I _{sd} short-circuit trip threshold (short delay)	1.5 - 2 - 2.5 - 3 - 4 - 5 - 6 - 7 - 8 - 9 - 10 x Ir	
t _{sd} short delay trip time	0.1 s	

Functioning in particular conditions (temperature and altitude derating) **see technical sheets**

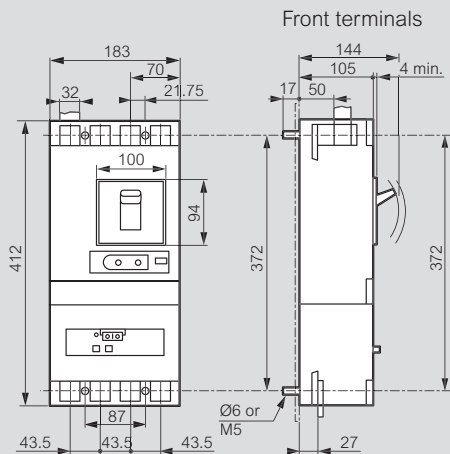
DPX³ HP tripping curves **see technical sheets**

■ Dimensions

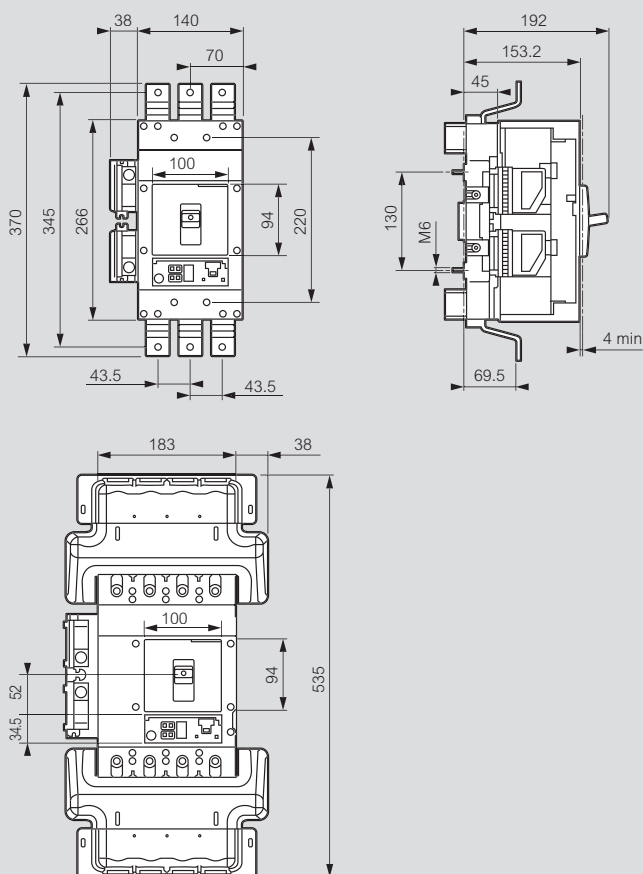
Fixed version, front terminals



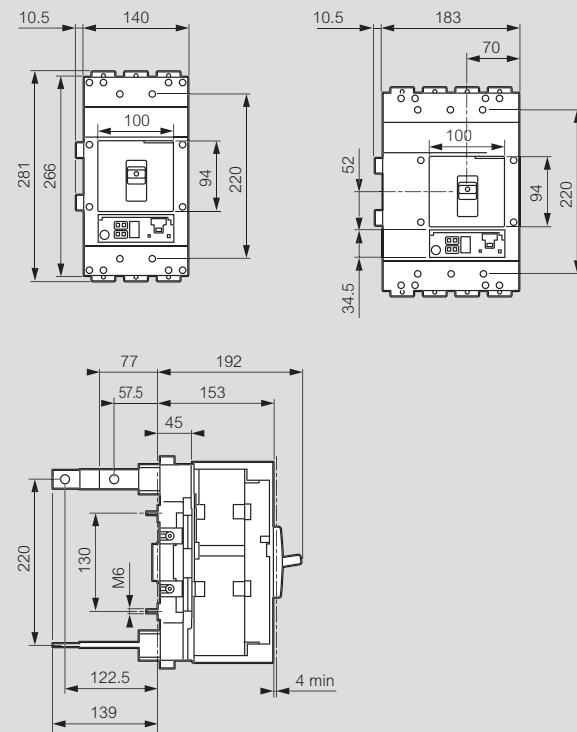
Fixed version with earth leakage module mounted underneath



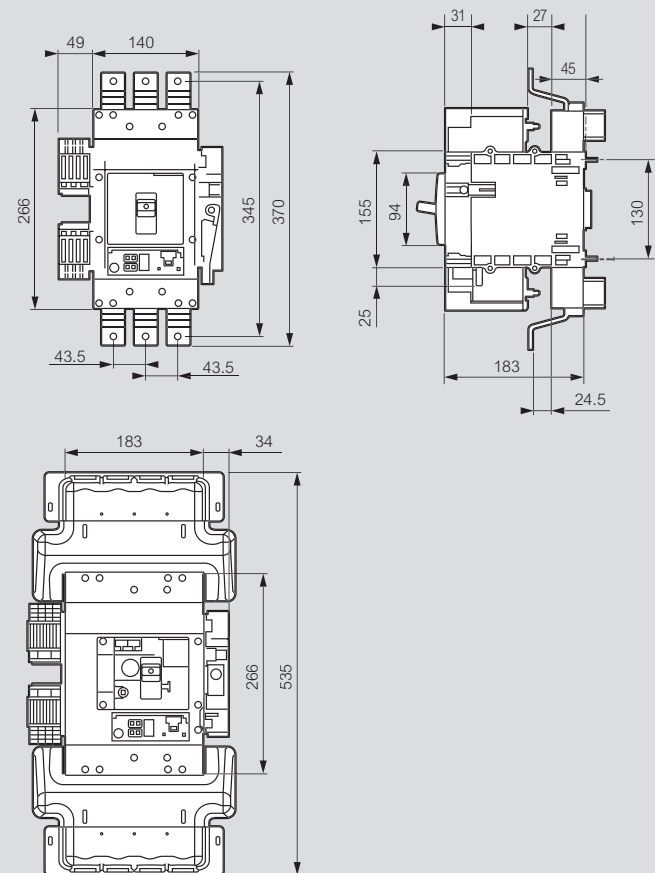
Plug-in version, front terminals



Plug-in version, rear terminals



Draw-out version, front terminals

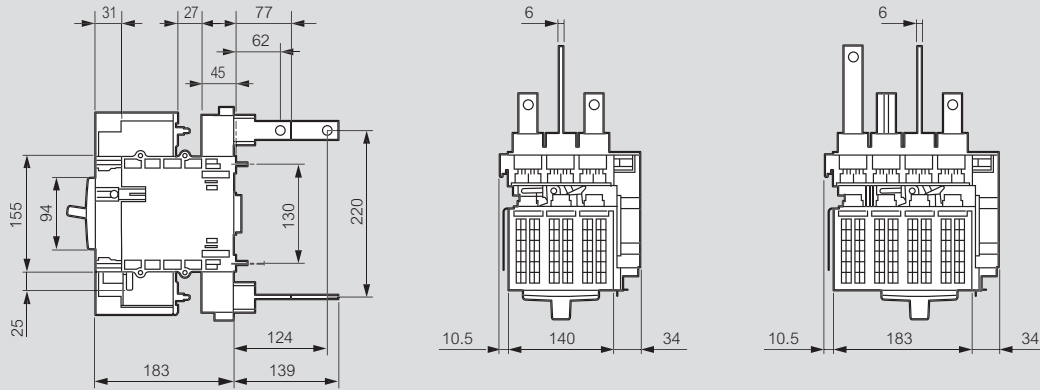


1: 75 mm without mechanical system

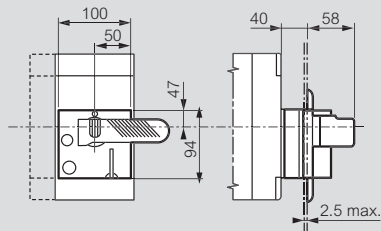
■ Dimensions (continued)

Draw-out version, rear terminals

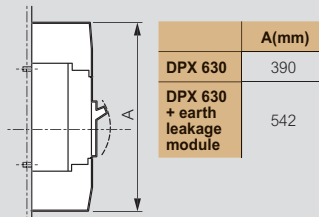
Flat rear terminal



Rotary handle-direct on DPX³

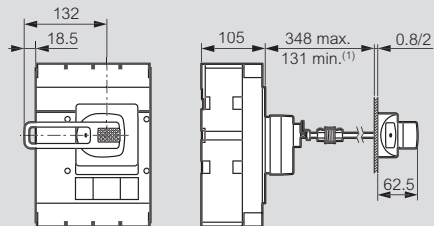


Terminal shields



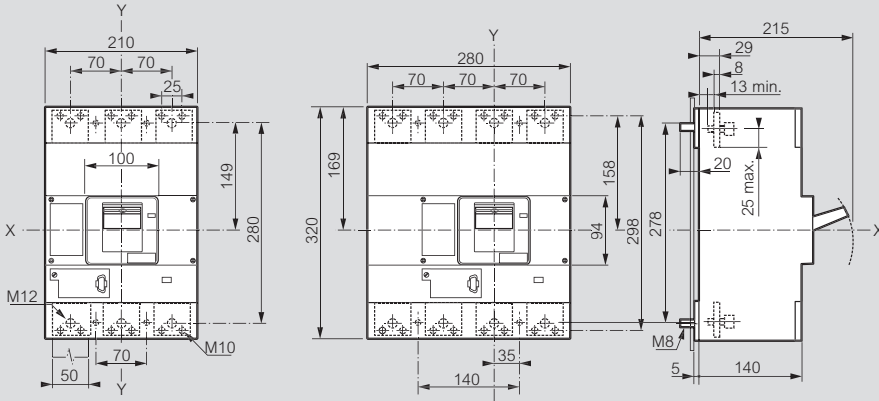
Rotary handle-vari-depth handle on door

Mounting with flexible seal

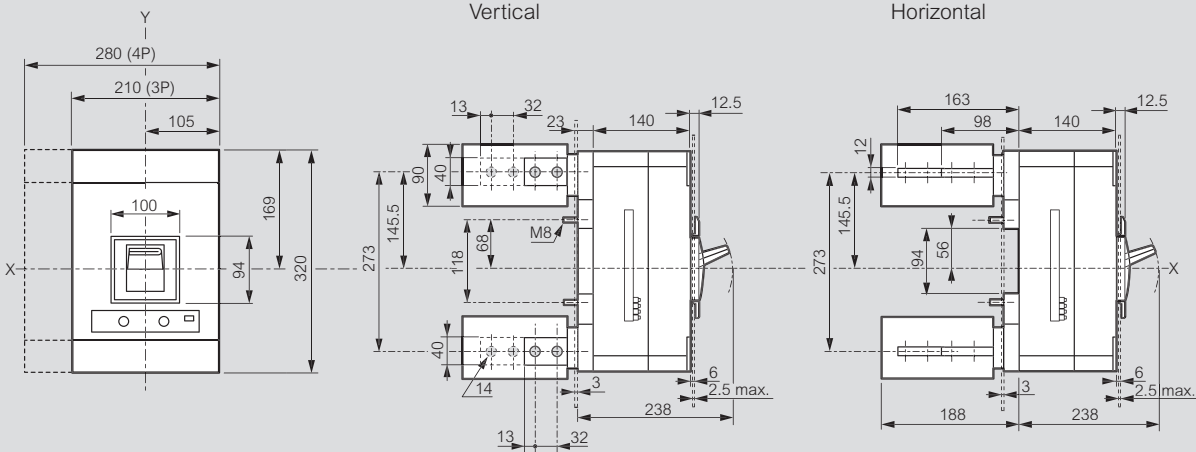


Dimensions

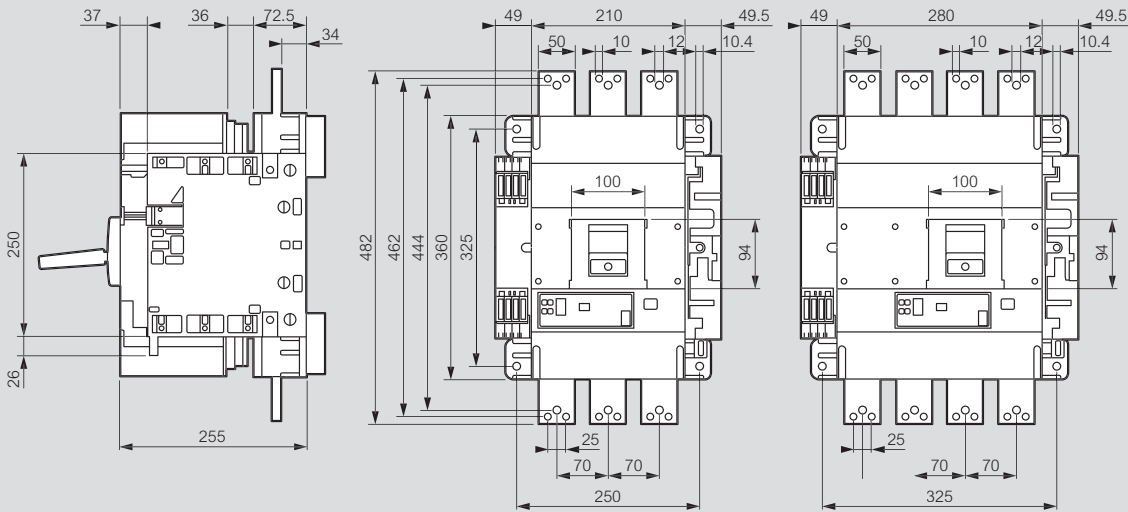
Fixed version, front terminals



Fixed version, rear terminals

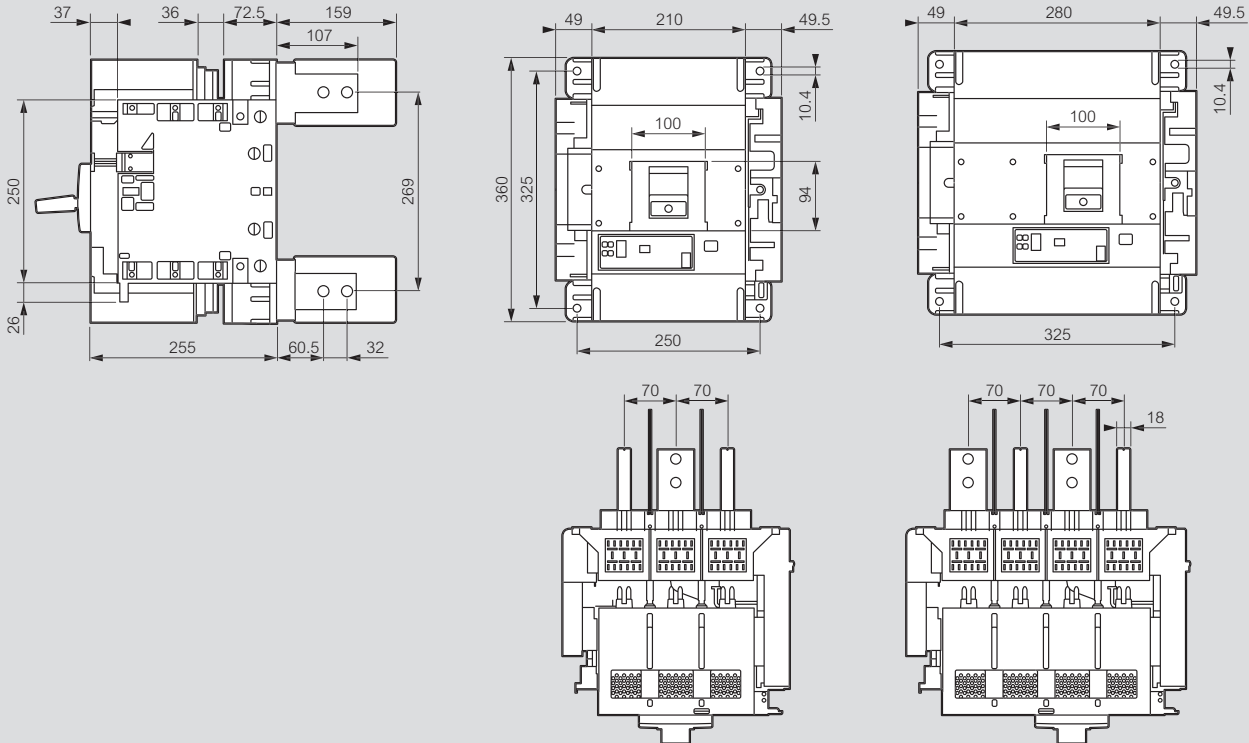


Draw-out version, front terminals

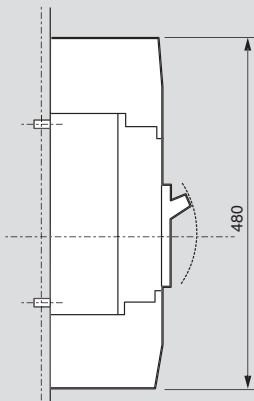


Dimensions (continued)

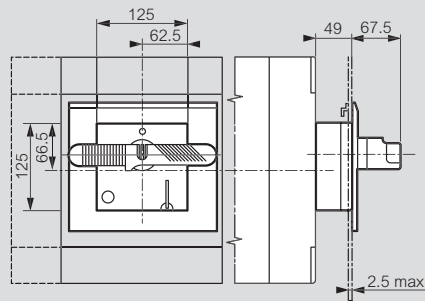
Draw-out version, rear terminals (continued)



Terminal shields

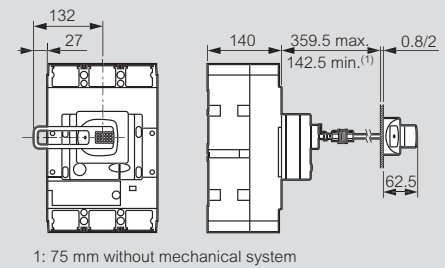


Rotary handle-direct on DPX³



Rotary handle-vari-depth handle on door

Mounting with flexible seal



Adjustment for thermal-magnetic DPX³

Setting	DPX ³ 630	DPX ³ 1600
I_r overload trip threshold (thermal)	0.8 to 1 I _n	0.8 to 1 I _n
I_m short-circuit trip threshold (magnetic)	5 to 10 I _n	5 to 10 I _n

Adjustment for DPX³ electronic release

Threshold Setting	S1
I_r: long delay setting current (protection against overloads)	$I_r = 0.4 \div 1 \times I_n$ (with 2 selectors of 10 steps)
t_r: long delay protection operation time	$t_r = 5 \text{ s}$ (with memory ON)
I_{sd}: short delay setting current (protection against short-circuits)	$I_{sd} = 1.5 \div 10 I_r$ (with 10 steps)
t_{sd}: short delay protection operation time	$t_{sd} = 10 \text{ ms}$
Threshold Setting	S2
I_r: long delay setting current (protection against overloads)	$I_r = 0.4 \div 1 \times I_n$ (with 1 A steps)
t_r: long delay protection operation time	$t_r = 3 \div 30 \text{ s}$ (with 7 steps and memory ON or OFF)
I_{sd}: short delay setting current (protection against short-circuits)	$I_{sd} = 1.5 \div 10 I_r$ (with 11 steps)
t_{sd}: short delay protection operation time	$t_{sd} = 0 \div 500 \text{ ms}$ (with 6 steps and $I^2t = k$ or $t = k$)

In accordance with its policy of continual improvement, the company reserves the right to modify the characteristics and design of its products without warning. All illustrations, descriptions, dimensions, and weights indicated in this catalogue are given as a guide only and the company cannot be held liable for their accuracy.



FOLLOW US ON

@ website: www.legrand.eg

f legrand

legrandegypt



EMB Electrical Industries S.A.E.

Headquarter office

Pyramids Heights Office Park
KM 22 Cairo - Alex. desert road
Building 1B, 12556
Tel.: +202 3536 0000
Fax: +202 3536 0001
www.legrand.eg

EXB20039 ©Legrand - April 2021